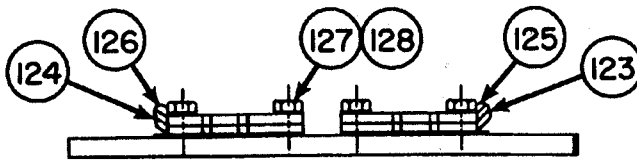
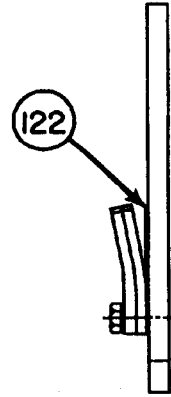
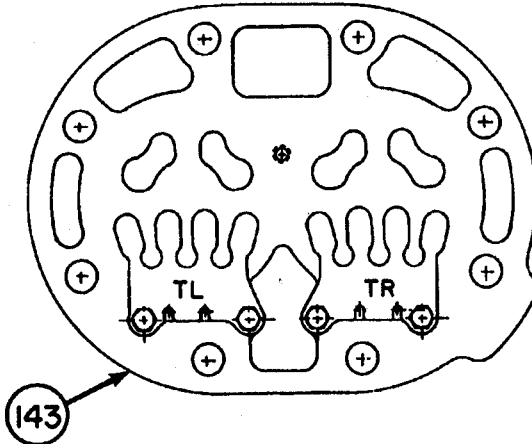
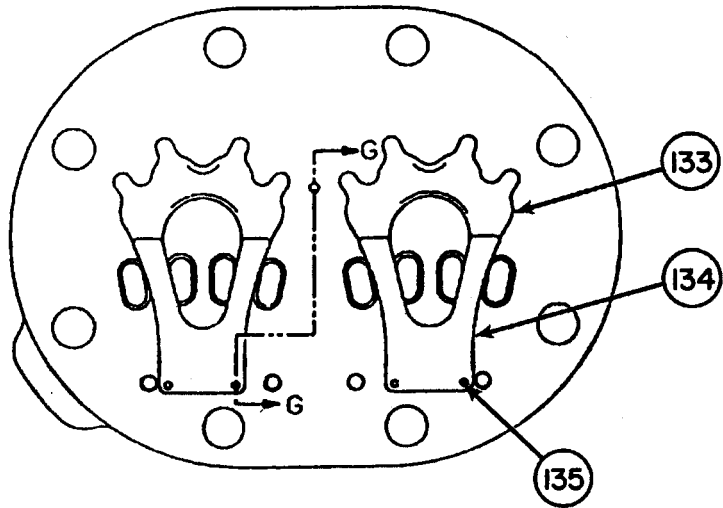


RELIEF VALVE ON ITEM 121 ONLY

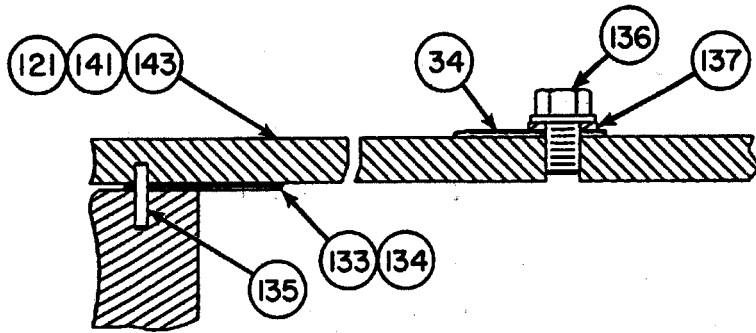
LOW STAGE VALVE PLATE



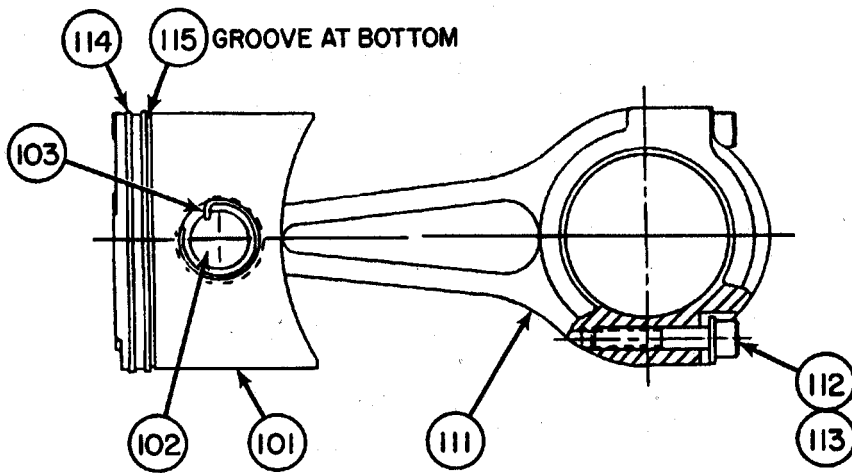
HIGH STAGE VALVE PLATE

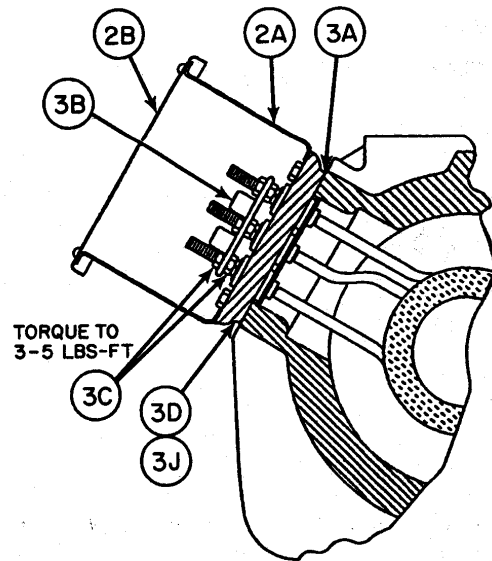


VALVE PLATE, CRANKCASE SIDE

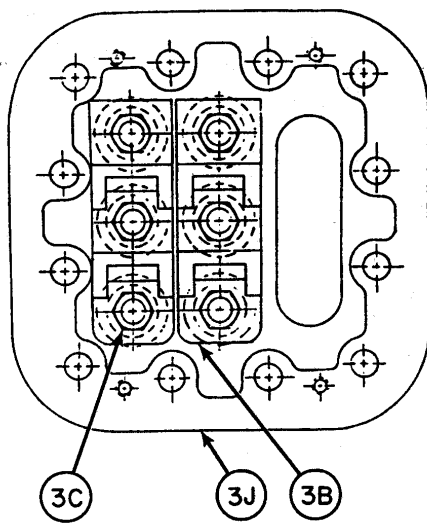


SECTION G-G

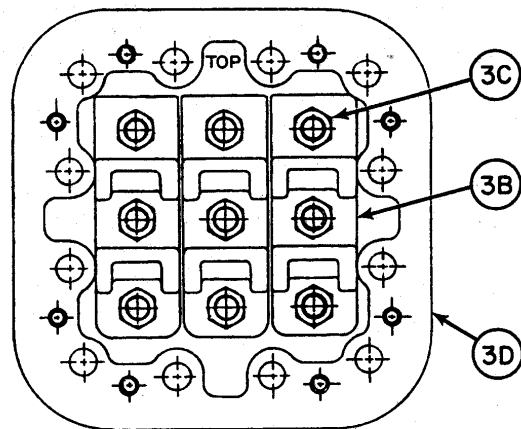




SECTION C-C



6 PIN TERMINAL PLATE



9 PIN TERMINAL PLATE
FOR 208/230 PW & XL
& 460/400 XL