

**MODEL XGH322HA**

**380/415 VOLTS, THREE PHASE, 50HZ, R-410A**

**NOMINAL PERFORMANCE AT ASRE/T 380 VOLTS**

Capacity (Btu/hr) .....	26,500
EER (Btu/W-hr).....	9.6
Power (W).....	2,760
Current (A).....	6.0

**RATING CONDITIONS AT ASRE/T**

Condensing Temp. (Deg. F) .....	130
Evaporating Temp. (Deg. F) .....	45
Return Gas Temp. (Deg. F) .....	95
Liquid Temp. (Deg. F).....	115
Ambient Temp. (Deg. F) .....	95

**MOTOR**

Operating Voltage Range.....	342-457
Locked Rotor Amps.....	45.0
Maximum Continuous Current.....	10.0
Rated Load Amps.....	6.4

**ELECTRICAL COMPONENTS**

Motor Protector Type.....	Internal
Run Capacitor Type.....	N/A

**OIL**

Oil Type.....	POE / Hatco FRL 32ST
Initial Charge (oz.) .....	36
Re-Charge (oz.) .....	30

**COMPRESSOR**

Maximum Discharge Temp. (Deg. F) .....	280
Displacement (cu. in / rev).....	1.87
Weight (lbs.,Wet) .....	68.0
UL/CSA File # .....	SA11565

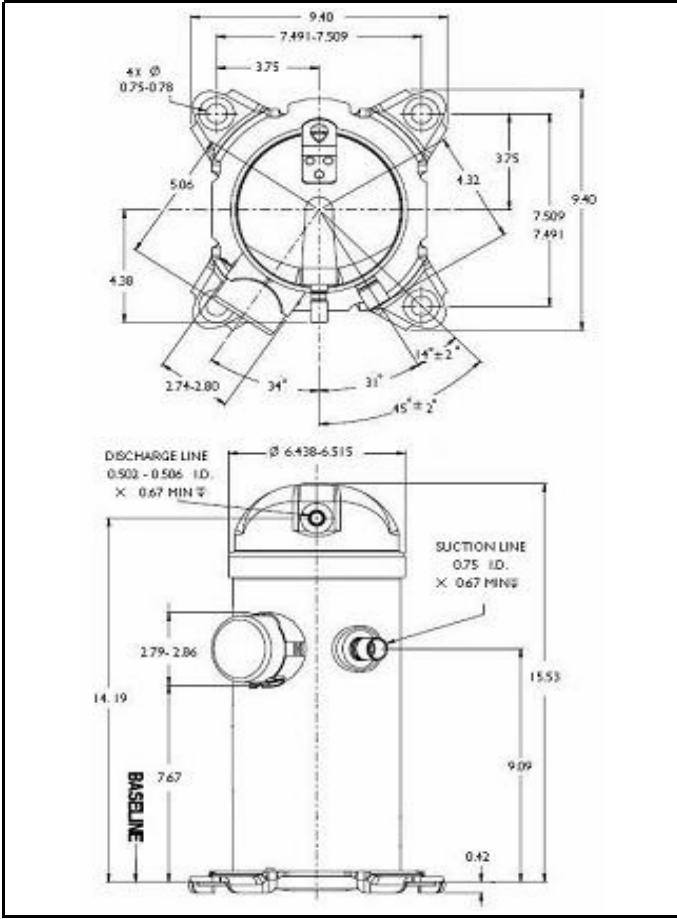
Specifications are subject to change without notice  
 Nominal performance value +/- 5%  
 Ratings generated with air over compressor

**Carlyle Compressor Company**

In the U.S.A. and Puerto Rico: 1-800-GO-CARLYLE (1-800-462-2759)  
 Canada: 1-800-258-1123  
 Mexico: 001-800-462-2759  
 Fax: 315-432-3274

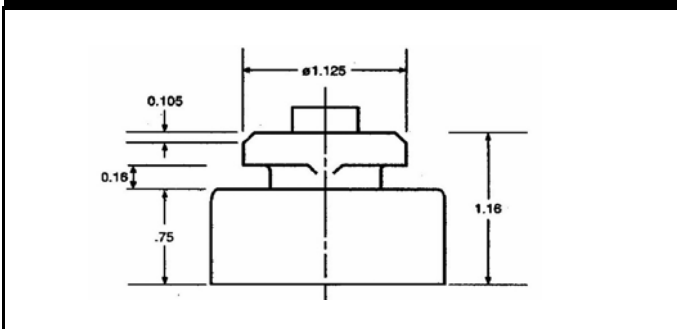
**26500 Btu/hr**

**XG MODEL OUTLINE DIMENSIONS**



Dimensions given in Inches

**ISOLATOR MOUNTING DIAGRAM**



**MODEL:** XGH322HA      **SUBCOOLING:** 15' F  
**VOLTAGE:** 380/415-3-50      **SUPERHEAT:** 20' F  
**REFRIGERANT:** R-410A      **RATING DATE:** Aug-06



Saturated Condensing		Saturated Evaporating Temperature (Degrees F)																
		-20	-15	-10	-5	0	5	10	15	20	25	30	35	40	45	50	55	
80	Capacity (Btu/hr)	7000	8500	10100	12000	14000	16200	18500	20900	23400	25900	28500	31100	33700	36300	38800	41300	
	Power (Watts)	1450	1460	1460	1460	1450	1430	1410	1390	1360	1330	1300	1270	1240	1220	1200	1180	
	Current (Amps)	2.3	2.3	2.3	2.3	2.3	2.3	2.3	2.3	2.3	2.3	2.3	2.3	2.4	2.4	2.5	2.6	
	Flow Rate (lbs/hr)	87	103	122	143	166	190	216	242	270	297	326	354	382	410	437	464	
	EER (Btu/Watt-hr)	4.8	5.8	6.9	8.2	9.7	11.3	13.1	15.1	17.2	19.5	21.9	24.5	27.1	29.8	32.4	35.0	
90	Capacity (Btu/hr)		7400	9000	10800	12800	14900	17100	19400	21800	24300	26800	29400	31900	34400	36900	39300	
	Power (Watts)		1690	1690	1680	1670	1650	1630	1610	1580	1550	1530	1500	1480	1460	1440	1430	
	Current (Amps)		2.7	2.7	2.8	2.8	2.8	2.8	2.8	2.8	2.8	2.8	2.8	2.9	2.9	2.9	3.0	
	Flow Rate (lbs/hr)		93	113	135	158	183	209	236	264	292	320	349	377	405	432	459	
	EER (Btu/Watt-hr)		4.4	5.3	6.4	7.6	9.0	10.5	12.1	13.8	15.7	17.6	19.6	21.6	23.7	25.6	27.5	
100	Capacity (Btu/hr)			7700	9500	11400	13500	15600	17900	20300	22700	25200	27600	30100	32600	35000	37300	
	Power (Watts)			1990	1970	1950	1930	1900	1870	1840	1810	1790	1760	1730	1710	1700	1690	
	Current (Amps)			3.2	3.3	3.3	3.3	3.4	3.4	3.4	3.4	3.4	3.4	3.4	3.4	3.4	3.4	
	Flow Rate (lbs/hr)			101	124	149	174	201	229	257	286	315	344	373	401	429	455	
	EER (Btu/Watt-hr)			3.9	4.8	5.8	7.0	8.2	9.6	11.0	12.5	14.1	15.7	17.4	19.0	20.6	22.1	
110	Capacity (Btu/hr)					9900	11900	14000	16300	18600	21000	23400	25800	28200	30600	33000	35200	
	Power (Watts)					2310	2270	2240	2200	2160	2130	2090	2060	2030	2010	1990	1980	
	Current (Amps)					4.0	4.0	4.0	4.1	4.1	4.1	4.1	4.1	4.1	4.0	4.0	4.0	
	Flow Rate (lbs/hr)					135	163	191	220	249	279	309	339	369	397	426	453	
	EER (Btu/Watt-hr)					4.3	5.2	6.3	7.4	8.6	9.9	11.2	12.5	13.9	15.3	16.6	17.8	
120	Capacity (Btu/hr)								12200	14400	16700	19000	21400	23800	26200	28500	30800	33000
	Power (Watts)								2650	2600	2550	2500	2460	2420	2380	2350	2320	2300
	Current (Amps)								4.9	4.9	4.9	4.9	4.9	4.9	4.9	4.9	4.8	4.8
	Flow Rate (lbs/hr)								176	206	237	269	300	331	362	392	421	449
	EER (Btu/Watt-hr)								4.6	5.6	6.5	7.6	8.7	9.8	11.0	12.1	13.3	14.3
130	Capacity (Btu/hr)									14500	16800	19200	21500	23900	26200	28400	30600	
	Power (Watts)									3020	2960	2900	2850	2800	2750	2720	2690	
	Current (Amps)									6.0	6.1	6.0	6.0	6.0	5.9	5.8	5.8	
	Flow Rate (lbs/hr)									220	253	286	319	351	383	413	442	
	EER (Btu/Watt-hr)									4.8	5.7	6.6	7.6	8.5	9.5	10.5	11.4	
140	Capacity (Btu/hr)											22100	25000	28000	31300	34900	38600	
	Power (Watts)											3090	3200	3300	3380	3440	3490	
	Current (Amps)											14.7	15.2	15.7	16.1	16.4	16.6	
	Flow Rate (lbs/hr)											349	392	437	484	534	586	
	EER (Btu/Watt-hr)											7.2	7.8	8.5	9.3	10.1	11.1	
150	Capacity (Btu/hr)													28000	31300	34900	38600	
	Power (Watts)													3300	3380	3440	3490	
	Current (Amps)													15.7	16.1	16.4	16.6	
	Flow Rate (lbs/hr)													437	484	534	586	
	EER (Btu/Watt-hr)													8.5	9.3	10.1	11.1	

\* Specifications are subject to change without notice

Data Based on 380 volts

## MODEL XGH362HA

380/415 VOLTS, THREE PHASE, 50HZ, R-410A

### NOMINAL PERFORMANCE AT ASRE/T 380 VOLTS

Capacity (Btu/hr) .....	30,400
EER (Btu/W-hr).....	9.7
Power (W).....	3,140
Current (A).....	4.8

### RATING CONDITIONS AT ASRE/T

Condensing Temp. (Deg. F) .....	130
Evaporating Temp. (Deg. F) .....	45
Return Gas Temp. (Deg. F) .....	95
Liquid Temp. (Deg. F).....	115
Ambient Temp. (Deg. F) .....	95

### MOTOR

Operating Voltage Range.....	342-457
Locked Rotor Amps.....	45.0
Maximum Continuous Current.....	10.0
Rated Load Amps.....	6.4

### ELECTRICAL COMPONENTS

Motor Protector Type.....	Internal
Run Capacitor Type.....	N/A

### OIL

Oil Type.....	POE / Hatco FRL 32ST
Initial Charge (oz.) .....	36
Re-Charge (oz.) .....	30

### COMPRESSOR

Maximum Discharge Temp. (Deg. F) .....	280
Displacement (cu. in / rev).....	2.12
Weight (lbs.,Wet) .....	68.0
UL/CSA File # .....	SA11565

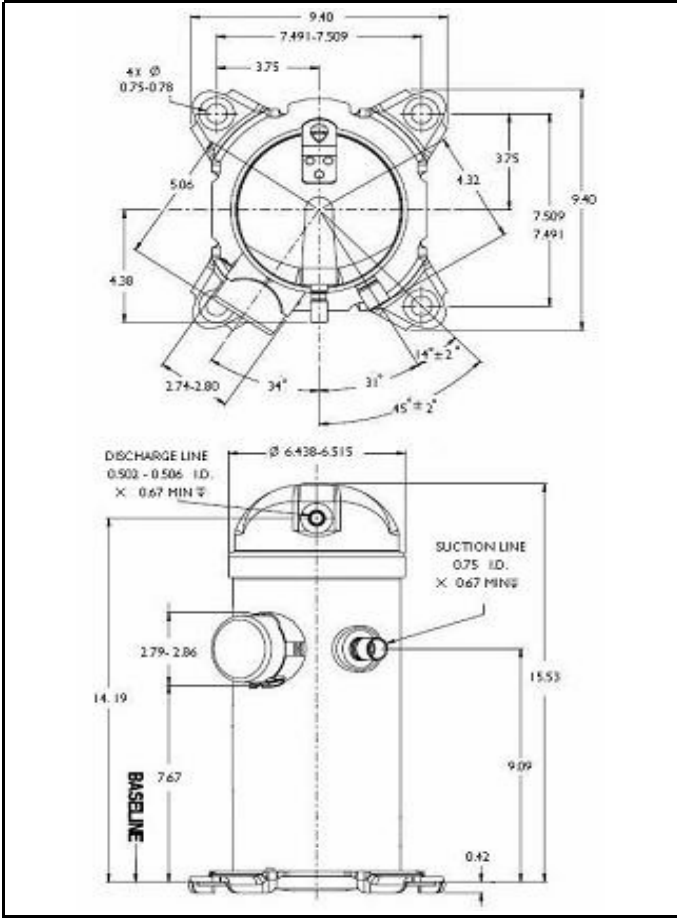
Specifications are subject to change without notice  
 Nominal performance value +/- 5%  
 Ratings generated with air over compressor

#### Carlyle Compressor Company

In the U.S.A. and Puerto Rico: 1-800-GO-CARLYLE (1-800-462-2759)  
 Canada: 1-800-258-1123  
 Mexico: 001-800-462-2759  
 Fax: 315-432-3274

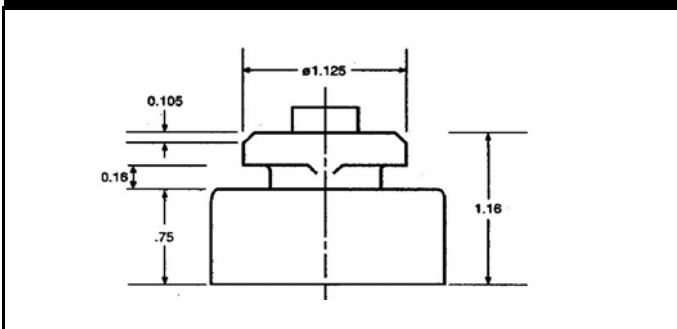
30400 Btu/hr

### XG MODEL OUTLINE DIMENSIONS



Dimensions given in Inches

### ISOLATOR MOUNTING DIAGRAM



**MODEL:** XGH362HA      **SUBCOOLING:** 15' F  
**VOLTAGE:** 380/415-3-50      **SUPERHEAT:** 20' F  
**REFRIGERANT:** R-410A      **RATING DATE:** Aug-06



Saturated Condensing		Saturated Evaporating Temperature (Degrees F)															
		-20	-15	-10	-5	0	5	10	15	20	25	30	35	40	45	50	55
80	Capacity (Btu/hr)	8100	9800	11700	13800	16200	18700	21300	24100	26900	29900	32900	35900	38900	41800	44800	47600
	Power (Watts)	1690	1700	1710	1700	1690	1670	1640	1620	1580	1550	1520	1480	1450	1430	1400	1380
	Current (Amps)	2.2	2.2	2.1	2.1	2.2	2.3	2.3	2.4	2.5	2.6	2.7	2.8	2.9	2.9	2.9	2.8
	Flow Rate (lbs/hr)	100	119	141	165	191	219	249	279	311	343	376	408	441	473	504	535
	EER (Btu/Watt-hr)	4.8	5.7	6.8	8.1	9.6	11.2	13.0	14.9	17.0	19.3	21.6	24.2	26.7	29.4	32.0	34.5
90	Capacity (Btu/hr)		8500	10400	12400	14700	17100	19700	22400	25200	28000	30900	33900	36800	39700	42500	45300
	Power (Watts)		1970	1970	1960	1940	1920	1900	1870	1840	1810	1780	1750	1720	1690	1680	1660
	Current (Amps)		3.2	3.1	3.1	3.1	3.1	3.1	3.2	3.3	3.3	3.4	3.4	3.5	3.5	3.4	3.4
	Flow Rate (lbs/hr)		108	130	155	182	211	241	272	304	337	369	402	435	467	498	529
	EER (Btu/Watt-hr)		4.3	5.3	6.3	7.6	8.9	10.4	12.0	13.7	15.5	17.4	19.4	21.4	23.4	25.4	27.2
100	Capacity (Btu/hr)			8900	10900	13100	15500	18000	20600	23400	26100	29000	31800	34700	37500	40300	43000
	Power (Watts)			2300	2280	2260	2230	2200	2170	2140	2100	2070	2040	2010	1980	1970	1960
	Current (Amps)			3.8	3.7	3.7	3.6	3.7	3.7	3.7	3.7	3.8	3.8	3.8	3.8	3.8	3.7
	Flow Rate (lbs/hr)			117	143	171	201	232	264	297	330	363	397	430	463	494	525
	EER (Btu/Watt-hr)			3.9	4.8	5.8	6.9	8.2	9.5	10.9	12.4	14.0	15.6	17.3	18.9	20.5	22.0
110	Capacity (Btu/hr)					11400	13700	16200	18700	21400	24100	26900	29700	32500	35200	38000	40600
	Power (Watts)					2650	2620	2580	2530	2490	2450	2410	2370	2340	2310	2290	2280
	Current (Amps)					4.0	4.0	4.0	4.0	4.0	4.0	4.0	4.1	4.1	4.0	4.0	3.9
	Flow Rate (lbs/hr)					156	187	220	253	287	321	356	390	424	458	490	521
	EER (Btu/Watt-hr)					4.3	5.2	6.3	7.4	8.6	9.9	11.2	12.5	13.9	15.3	16.6	17.8
120	Capacity (Btu/hr)							14100	16600	19200	21900	24600	27400	30100	32800	35500	38000
	Power (Watts)							3030	2980	2920	2870	2820	2770	2730	2690	2660	2640
	Current (Amps)							4.3	4.3	4.3	4.3	4.3	4.3	4.3	4.3	4.3	4.2
	Flow Rate (lbs/hr)							202	237	273	309	345	381	416	451	485	517
	EER (Btu/Watt-hr)							4.6	5.6	6.6	7.6	8.7	9.9	11.0	12.2	13.3	14.4
130	Capacity (Btu/hr)									16700	19400	22100	24800	27500	30100	32700	35200
	Power (Watts)									3440	3370	3300	3240	3190	3140	3090	3060
	Current (Amps)									4.6	4.7	4.7	4.7	4.7	4.7	4.7	4.6
	Flow Rate (lbs/hr)									253	291	329	367	404	440	475	509
	EER (Btu/Watt-hr)									4.9	5.7	6.7	7.6	8.6	9.6	10.6	11.5
140	Capacity (Btu/hr)											22100	25000	28000	31300	34900	38600
	Power (Watts)											3090	3200	3300	3380	3440	3490
	Current (Amps)											14.7	15.2	15.7	16.1	16.4	16.6
	Flow Rate (lbs/hr)											349	392	437	484	534	586
	EER (Btu/Watt-hr)											7.2	7.8	8.5	9.3	10.1	11.1
150	Capacity (Btu/hr)													28000	31300	34900	38600
	Power (Watts)													3300	3380	3440	3490
	Current (Amps)													15.7	16.1	16.4	16.6
	Flow Rate (lbs/hr)													437	484	534	586
	EER (Btu/Watt-hr)													8.5	9.3	10.1	11.1

\* Specifications are subject to change without notice

Data Based on 380 volts

**MODEL XGH382HA**

**380/415 VOLTS, THREE PHASE, 50HZ, R-410A**

**31900 Btu/hr**

**NOMINAL PERFORMANCE AT ASRE/T 380 VOLTS**

Capacity (Btu/hr) .....	31,900
EER (Btu/W-hr).....	9.5
Power (W).....	3,360
Current (A).....	6.7

**RATING CONDITIONS AT ASRE/T**

Condensing Temp. (Deg. F) .....	130
Evaporating Temp. (Deg. F) .....	45
Return Gas Temp. (Deg. F) .....	95
Liquid Temp. (Deg. F).....	115
Ambient Temp. (Deg. F) .....	95

**MOTOR**

Operating Voltage Range.....	342-457
Locked Rotor Amps.....	50.0
Maximum Continuous Current.....	12.0
Rated Load Amps.....	7.7

**ELECTRICAL COMPONENTS**

Motor Protector Type.....	Internal
Run Capacitor Type.....	N/A

**OIL**

Oil Type.....	POE / Hatco FRL 32ST
Initial Charge (oz.) .....	36
Re-Charge (oz.) .....	30

**COMPRESSOR**

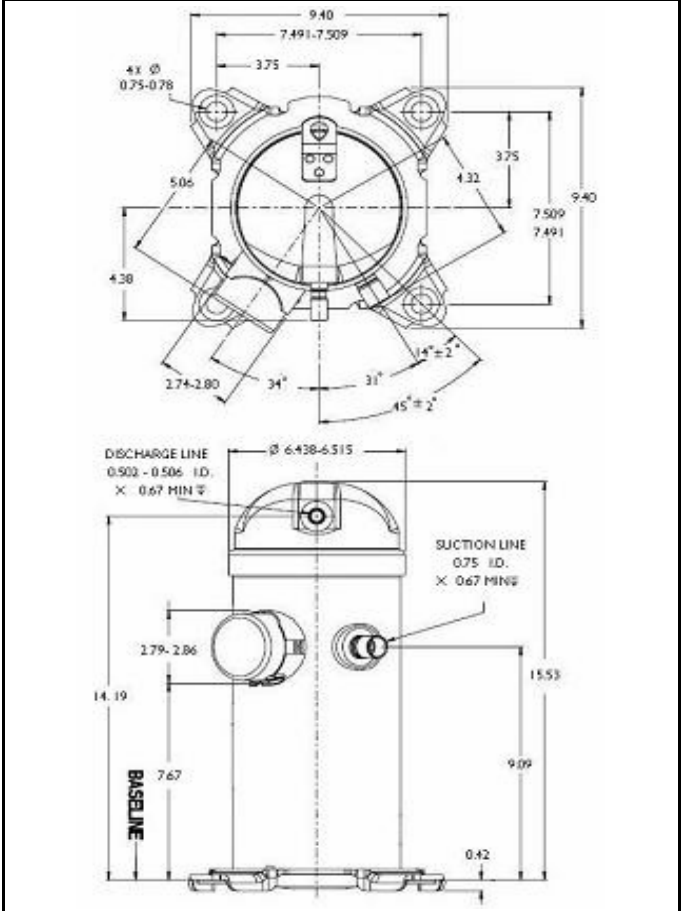
Maximum Discharge Temp. (Deg. F) .....	280
Displacement (cu. in / rev).....	2.23
Weight (lbs.,Wet) .....	68.0
UL/CSA File #.....	SA11565

Specifications are subject to change without notice  
 Nominal performance value +/- 5%  
 Ratings generated with air over compressor

**Carlyle Compressor Company**

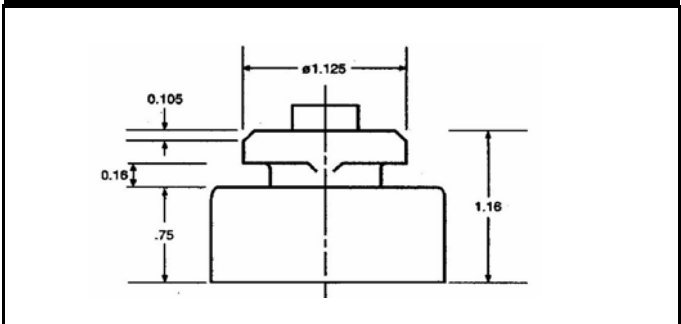
In the U.S.A. and Puerto Rico: 1-800-GO-CARLYLE (1-800-462-2759)  
 Canada: 1-800-258-1123  
 Mexico: 001-800-462-2759  
 Fax: 315-432-3274

**XG MODEL OUTLINE DIMENSIONS**



Dimensions given in Inches

**ISOLATOR MOUNTING DIAGRAM**



**MODEL:** XGH382HA      **SUBCOOLING:** 15' F  
**VOLTAGE:** 380/415-3-50      **SUPERHEAT:** 20' F  
**REFRIGERANT:** R-410A      **RATING DATE:** Aug-06



Saturated Condensing		Saturated Evaporating Temperature (Degrees F)															
		-20	-15	-10	-5	0	5	10	15	20	25	30	35	40	45	50	55
80	Capacity (Btu/hr)	8700	10100	11700	13500	15500	17700	20200	22900	25900	29100	32600	36400	40500	44800	49500	54600
	Power (Watts)	1740	1720	1710	1700	1690	1690	1680	1680	1670	1670	1660	1660	1650	1640	1620	1600
	Current (Amps)	4.4	4.4	4.4	4.4	4.4	4.4	4.4	4.4	4.4	4.3	4.3	4.3	4.3	4.2	4.2	4.1
	Flow Rate (lbs/hr)	107	123	141	161	183	208	236	266	298	334	372	413	457	505	555	609
	EER (Btu/Watt-hr)	5.0	5.9	6.8	7.9	9.2	10.5	12.0	13.7	15.5	17.4	19.6	22.0	24.6	27.4	30.6	34.0
90	Capacity (Btu/hr)		9000	10600	12300	14300	16400	18800	21400	24200	27300	30600	34200	38100	42300	46700	51500
	Power (Watts)		2030	2010	1990	1980	1970	1950	1940	1930	1920	1910	1900	1890	1870	1850	1830
	Current (Amps)		4.7	4.7	4.7	4.7	4.7	4.7	4.7	4.7	4.7	4.7	4.7	4.6	4.6	4.5	4.5
	Flow Rate (lbs/hr)		115	134	154	177	202	230	260	292	328	366	406	450	497	547	600
	EER (Btu/Watt-hr)		4.5	5.3	6.2	7.2	8.4	9.6	11.0	12.5	14.2	16.0	18.0	20.2	22.6	25.3	28.2
100	Capacity (Btu/hr)			9500	11100	13000	15100	17300	19800	22500	25400	28600	32000	35700	39700	43900	48500
	Power (Watts)			2350	2330	2310	2290	2270	2260	2240	2230	2210	2190	2170	2150	2130	2100
	Current (Amps)			5.2	5.2	5.1	5.1	5.1	5.1	5.1	5.1	5.1	5.1	5.0	5.0	5.0	4.9
	Flow Rate (lbs/hr)			126	147	170	195	223	253	286	321	359	400	443	489	539	591
	EER (Btu/Watt-hr)			4.0	4.8	5.6	6.6	7.6	8.8	10.0	11.4	12.9	14.6	16.4	18.4	20.6	23.0
110	Capacity (Btu/hr)				11700	13700	15900	18200	20800	23600	26600	29800	33300	37100	41100	45400	
	Power (Watts)				2690	2670	2650	2620	2600	2580	2560	2540	2520	2490	2470	2440	
	Current (Amps)				5.6	5.6	5.6	5.6	5.6	5.6	5.5	5.5	5.5	5.5	5.4	5.4	
	Flow Rate (lbs/hr)				162	188	216	246	279	314	352	392	435	481	530	582	
	EER (Btu/Watt-hr)				4.4	5.1	6.0	6.9	8.0	9.1	10.4	11.7	13.2	14.9	16.6	18.6	
120	Capacity (Btu/hr)					14300	16600	19000	21600	24500	27500	30800	34400	38100	42200		
	Power (Watts)					3070	3050	3020	3000	2970	2950	2920	2890	2860	2830		
	Current (Amps)					6.1	6.1	6.1	6.1	6.1	6.0	6.0	6.0	6.0	5.9		
	Flow Rate (lbs/hr)					206	237	270	305	343	383	426	472	521	572		
	EER (Btu/Watt-hr)					4.7	5.4	6.3	7.2	8.2	9.3	10.6	11.9	13.3	14.9		
130	Capacity (Btu/hr)							17100	19600	22300	25100	28200	31500	35100	38900		
	Power (Watts)							3510	3480	3450	3420	3390	3360	3320	3290		
	Current (Amps)							6.7	6.7	6.7	6.7	6.6	6.6	6.6	6.5		
	Flow Rate (lbs/hr)							259	294	332	373	416	461	510	561		
	EER (Btu/Watt-hr)							4.9	5.6	6.5	7.4	8.3	9.4	10.6	11.8		
140	Capacity (Btu/hr)									22100	25000	28000	31300	34900	38600		
	Power (Watts)									3090	3200	3300	3380	3440	3490		
	Current (Amps)									14.7	15.2	15.7	16.1	16.4	16.6		
	Flow Rate (lbs/hr)									349	392	437	484	534	586		
	EER (Btu/Watt-hr)									7.2	7.8	8.5	9.3	10.1	11.1		
150	Capacity (Btu/hr)											28000	31300	34900	38600		
	Power (Watts)											3300	3380	3440	3490		
	Current (Amps)											15.7	16.1	16.4	16.6		
	Flow Rate (lbs/hr)											437	484	534	586		
	EER (Btu/Watt-hr)											8.5	9.3	10.1	11.1		

\* Specifications are subject to change without notice

Data Based on 380 volts

**MODEL XGH412HA**

**380/415 VOLTS, THREE PHASE, 50HZ, R-410A**

**35100 Btu/hr**

**NOMINAL PERFORMANCE AT ASRE/T 380 VOLTS**

Capacity (Btu/hr) .....	35,100
EER (Btu/W-hr).....	9.8
Power (W).....	3,590
Current (A).....	5.5

**RATING CONDITIONS AT ASRE/T**

Condensing Temp. (Deg. F) .....	130
Evaporating Temp. (Deg. F) .....	45
Return Gas Temp. (Deg. F) .....	95
Liquid Temp. (Deg. F).....	115
Ambient Temp. (Deg. F) .....	95

**MOTOR**

Operating Voltage Range.....	342-457
Locked Rotor Amps.....	50.0
Maximum Continuous Current.....	12.0
Rated Load Amps.....	7.7

**ELECTRICAL COMPONENTS**

Motor Protector Type.....	Internal
Run Capacitor Type.....	N/A

**OIL**

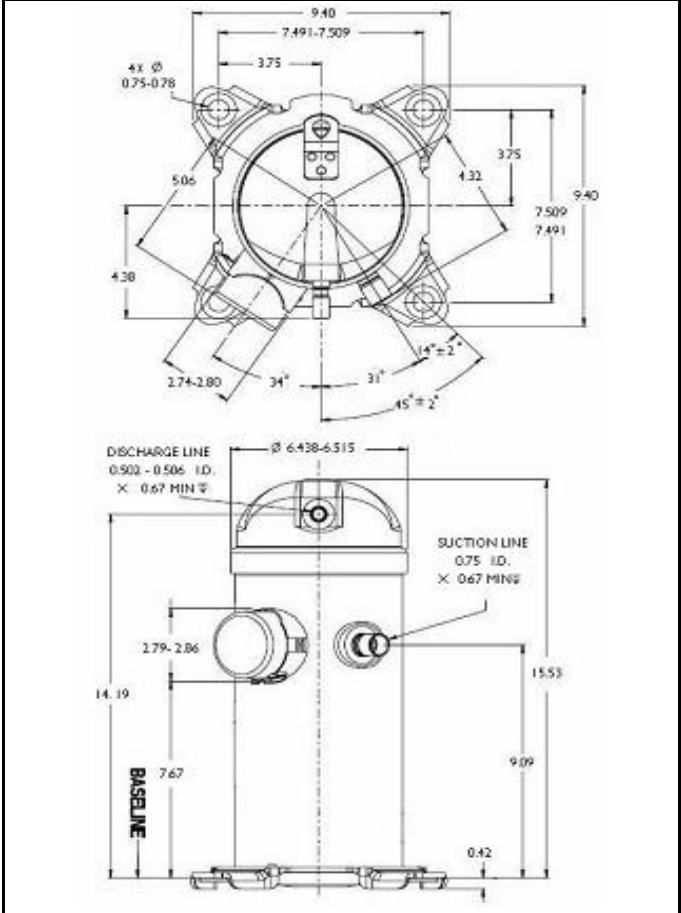
Oil Type.....	POE / Hatco FRL 32ST
Initial Charge (oz.) .....	45
Re-Charge (oz.) .....	39

**COMPRESSOR**

Maximum Discharge Temp. (Deg. F) .....	280
Displacement (cu. in / rev).....	2.40
Weight (lbs.,Wet) .....	71.0
UL/CSA File # .....	SA11565

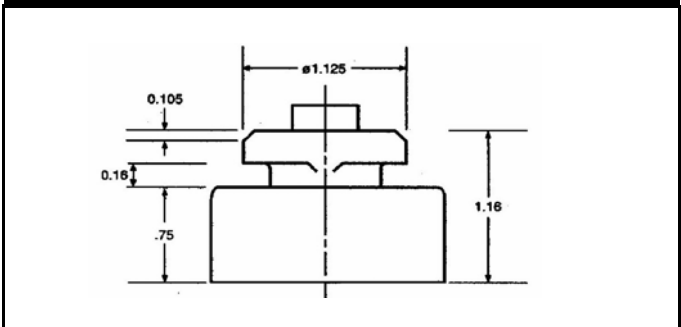
Specifications are subject to change without notice  
 Nominal performance value +/- 5%  
 Ratings generated with air over compressor

**XG MODEL OUTLINE DIMENSIONS**



Dimensions given in Inches

**ISOLATOR MOUNTING DIAGRAM**



**Carlyle Compressor Company**

In the U.S.A. and Puerto Rico: 1-800-GO-CARLYLE (1-800-462-2759)  
 Canada: 1-800-258-1123  
 Mexico: 001-800-462-2759  
 Fax: 315-432-3274

**MODEL:** XGH412HA      **SUBCOOLING:** 15' F  
**VOLTAGE:** 380/415-3-50      **SUPERHEAT:** 20' F  
**REFRIGERANT:** R-410A      **RATING DATE:** Aug-06



Saturated Condensing		Saturated Evaporating Temperature (Degrees F)															
		-20	-15	-10	-5	0	5	10	15	20	25	30	35	40	45	50	55
80	Capacity (Btu/hr)	9300	11200	13500	15900	18600	21500	24500	27700	31000	34400	37800	41200	44700	48100	51500	54800
	Power (Watts)	2010	2030	2030	2030	2010	1990	1960	1920	1890	1850	1810	1770	1730	1700	1670	1660
	Current (Amps)	2.5	2.4	2.4	2.4	2.5	2.6	2.7	2.8	2.9	3.0	3.1	3.2	3.2	3.3	3.2	3.2
	Flow Rate (lbs/hr)	115	137	162	190	220	252	286	321	357	395	432	470	507	544	580	615
	EER (Btu/Watt-hr)	4.6	5.5	6.6	7.9	9.2	10.8	12.5	14.4	16.4	18.6	20.9	23.3	25.8	28.3	30.7	33.1
90	Capacity (Btu/hr)		9800	11900	14300	16900	19700	22700	25800	29000	32300	35600	39000	42300	45700	48900	52100
	Power (Watts)		2330	2330	2320	2300	2280	2250	2220	2180	2140	2100	2070	2040	2010	1990	1980
	Current (Amps)		3.6	3.5	3.5	3.5	3.5	3.6	3.6	3.7	3.8	3.8	3.9	3.9	3.9	3.9	3.8
	Flow Rate (lbs/hr)		124	150	179	210	243	277	313	350	387	425	463	500	537	573	608
	EER (Btu/Watt-hr)		4.2	5.1	6.2	7.3	8.6	10.1	11.6	13.3	15.1	16.9	18.8	20.8	22.7	24.6	26.4
100	Capacity (Btu/hr)			10300	12600	15100	17900	20800	23800	26900	30100	33400	36700	40000	43200	46400	49500
	Power (Watts)			2700	2680	2660	2630	2590	2550	2510	2470	2430	2400	2360	2330	2310	2300
	Current (Amps)			4.3	4.2	4.1	4.1	4.1	4.2	4.2	4.2	4.3	4.3	4.3	4.3	4.3	4.2
	Flow Rate (lbs/hr)			135	165	197	231	267	304	342	380	419	457	495	533	569	604
	EER (Btu/Watt-hr)			3.8	4.7	5.7	6.8	8.0	9.3	10.7	12.2	13.7	15.3	16.9	18.5	20.0	21.5
110	Capacity (Btu/hr)					13200	15800	18600	21600	24700	27800	31000	34300	37500	40700	43800	46800
	Power (Watts)					3090	3050	3000	2960	2910	2860	2810	2770	2730	2700	2670	2660
	Current (Amps)					4.6	4.5	4.5	4.5	4.5	4.6	4.6	4.6	4.6	4.6	4.5	4.4
	Flow Rate (lbs/hr)					180	216	253	292	331	371	411	450	490	528	565	601
	EER (Btu/Watt-hr)					4.3	5.2	6.2	7.3	8.5	9.7	11.0	12.4	13.7	15.1	16.4	17.6
120	Capacity (Btu/hr)							16300	19200	22200	25300	28400	31600	34800	37900	41000	43900
	Power (Watts)							3500	3440	3380	3310	3250	3200	3150	3110	3070	3050
	Current (Amps)							4.8	4.8	4.8	4.9	4.9	4.9	4.9	4.9	4.8	4.7
	Flow Rate (lbs/hr)							234	274	315	357	399	440	481	521	560	597
	EER (Btu/Watt-hr)							4.6	5.6	6.6	7.6	8.7	9.9	11.0	12.2	13.3	14.4
130	Capacity (Btu/hr)									19400	22400	25500	28600	31700	34800	37800	40800
	Power (Watts)									3940	3860	3780	3710	3640	3590	3540	3500
	Current (Amps)									5.3	5.3	5.3	5.3	5.3	5.3	5.3	5.2
	Flow Rate (lbs/hr)									293	337	381	424	467	509	550	589
	EER (Btu/Watt-hr)									4.9	5.8	6.7	7.7	8.7	9.7	10.7	11.6
140	Capacity (Btu/hr)											22100	25000	28000	31300	34900	38600
	Power (Watts)											3090	3200	3300	3380	3440	3490
	Current (Amps)											14.7	15.2	15.7	16.1	16.4	16.6
	Flow Rate (lbs/hr)											349	392	437	484	534	586
	EER (Btu/Watt-hr)											7.2	7.8	8.5	9.3	10.1	11.1
150	Capacity (Btu/hr)													28000	31300	34900	38600
	Power (Watts)													3300	3380	3440	3490
	Current (Amps)													15.7	16.1	16.4	16.6
	Flow Rate (lbs/hr)													437	484	534	586
	EER (Btu/Watt-hr)													8.5	9.3	10.1	11.1

\* Specifications are subject to change without notice

Data Based on 380 volts

**MODEL XNH442HA**

**380/415 VOLTS, THREE PHASE, 50HZ, R-410A**

**37300 Btu/hr**

**NOMINAL PERFORMANCE AT ASRE/T 380 VOLTS**

Capacity (Btu/hr) .....	37,300
EER (Btu/W-hr).....	9.5
Power (W).....	3,935
Current (A).....	7.9

**RATING CONDITIONS AT ASRE/T**

Condensing Temp. (Deg. F) .....	130
Evaporating Temp. (Deg. F) .....	45
Return Gas Temp. (Deg. F) .....	95
Liquid Temp. (Deg. F).....	115
Ambient Temp. (Deg. F) .....	95

**MOTOR**

Operating Voltage Range.....	342-457
Locked Rotor Amps.....	55.2
Maximum Continuous Current.....	12.5
Rated Load Amps.....	8.0

**ELECTRICAL COMPONENTS**

Motor Protector Type.....	Internal
Run Capacitor Type.....	N/A

**OIL**

Oil Type.....	POE / Hatco FRL 32ST
Initial Charge (oz.) .....	53
Re-Charge (oz.) .....	44

**COMPRESSOR**

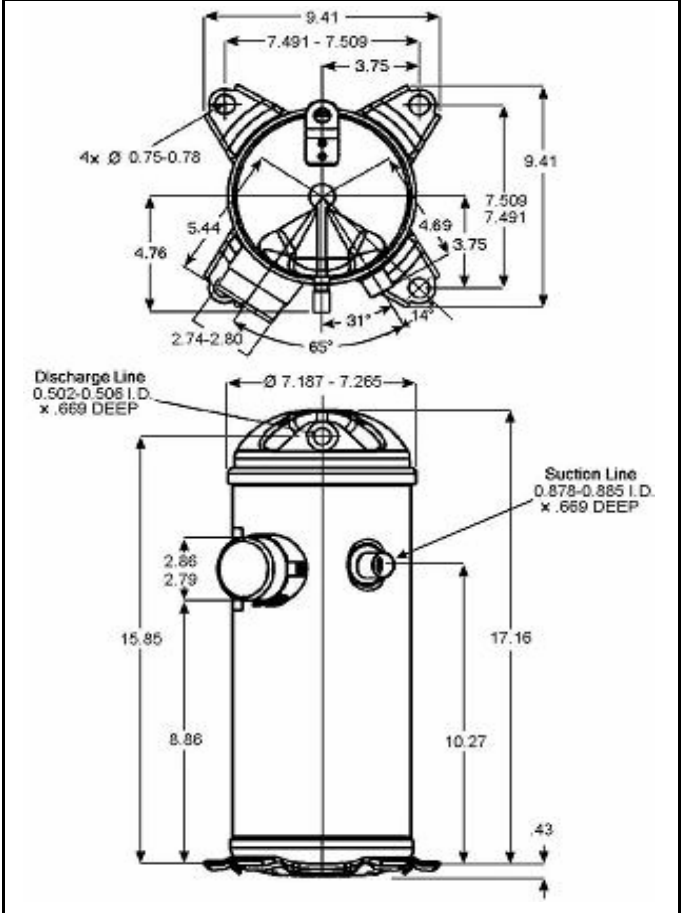
Maximum Discharge Temp. (Deg. F) .....	280
Displacement (cu. in / rev).....	2.60
Weight (lbs.,Wet) .....	82.0
UL/CSA File # .....	SA11565

Specifications are subject to change without notice  
 Nominal performance value +/- 5%  
 Ratings generated with air over compressor

**Carlyle Compressor Company**

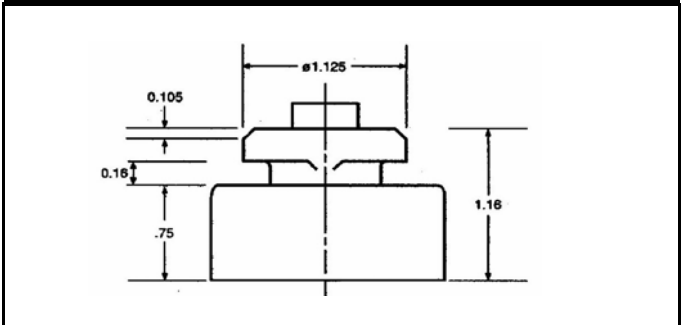
In the U.S.A. and Puerto Rico: 1-800-GO-CARLYLE (1-800-462-2759)  
 Canada: 1-800-258-1123  
 Mexico: 001-800-462-2759  
 Fax: 315-432-3274

**XN MODEL OUTLINE DIMENSIONS**



Dimensions given in Inches

**ISOLATOR MOUNTING DIAGRAM**



**MODEL:** XNH442HA      **SUBCOOLING:** 15' F  
**VOLTAGE:** 380/415-3-50      **SUPERHEAT:** 20' F  
**REFRIGERANT:** R-410A      **RATING DATE:** Aug-06



Saturated Condensing		Saturated Evaporating Temperature (Degrees F)															
		-20	-15	-10	-5	0	5	10	15	20	25	30	35	40	45	50	55
80	Capacity (Btu/hr)	9900	12000	14300	17000	19800	22900	26100	29500	33000	36600	40300	44000	47700	51300	54900	58400
	Power (Watts)	2020	2040	2040	2040	2020	2000	1970	1930	1900	1860	1820	1780	1740	1700	1670	1640
	Current (Amps)	3.1	3.1	3.0	3.0	3.0	3.0	3.0	3.0	3.0	3.0	3.1	3.1	3.2	3.2	3.3	3.5
	Flow Rate (lbs/hr)	123	146	173	203	235	269	305	342	381	421	460	501	541	580	618	656
	EER (Btu/Watt-hr)	4.9	5.9	7.0	8.3	9.8	11.5	13.3	15.3	17.4	19.7	22.2	24.8	27.4	30.2	32.9	35.6
90	Capacity (Btu/hr)		10400	12700	15200	18000	21000	24200	27500	30900	34400	37900	41500	45100	48700	52100	55500
	Power (Watts)		2370	2370	2360	2340	2310	2280	2250	2210	2180	2140	2100	2070	2040	2010	1990
	Current (Amps)		3.6	3.6	3.6	3.7	3.7	3.7	3.7	3.7	3.7	3.7	3.7	3.8	3.8	3.9	4.0
	Flow Rate (lbs/hr)		132	160	191	224	259	295	334	373	413	453	493	533	573	611	648
	EER (Btu/Watt-hr)		4.4	5.4	6.5	7.7	9.1	10.6	12.2	13.9	15.8	17.7	19.8	21.8	23.9	25.9	27.8
100	Capacity (Btu/hr)			10900	13400	16100	19000	22100	25300	28600	32100	35500	39000	42500	46000	49400	52700
	Power (Watts)			2800	2770	2750	2710	2670	2630	2590	2550	2510	2470	2440	2410	2390	2370
	Current (Amps)			4.3	4.3	4.4	4.4	4.4	4.5	4.5	4.5	4.5	4.5	4.5	4.5	4.5	4.6
	Flow Rate (lbs/hr)			143	176	210	246	284	324	364	405	446	487	527	567	606	643
	EER (Btu/Watt-hr)			3.9	4.8	5.9	7.0	8.3	9.6	11.0	12.6	14.2	15.8	17.4	19.1	20.7	22.2
110	Capacity (Btu/hr)					14000	16800	19800	23000	26300	29600	33000	36400	39800	43200	46500	49800
	Power (Watts)					3260	3210	3160	3110	3060	3000	2950	2910	2870	2830	2810	2790
	Current (Amps)					5.2	5.3	5.3	5.4	5.4	5.4	5.4	5.4	5.4	5.3	5.3	5.3
	Flow Rate (lbs/hr)					191	230	269	310	352	394	437	479	521	561	601	639
	EER (Btu/Watt-hr)					4.3	5.2	6.3	7.4	8.6	9.9	11.2	12.5	13.9	15.3	16.6	17.8
120	Capacity (Btu/hr)							17300	20400	23600	26900	30200	33600	36900	40200	43500	46700
	Power (Watts)							3760	3690	3620	3550	3490	3430	3380	3330	3300	3270
	Current (Amps)							6.5	6.5	6.5	6.6	6.5	6.5	6.5	6.4	6.4	6.3
	Flow Rate (lbs/hr)							248	291	335	379	423	467	511	553	594	634
	EER (Btu/Watt-hr)							4.6	5.5	6.5	7.6	8.7	9.8	10.9	12.1	13.2	14.3
130	Capacity (Btu/hr)									20500	23800	27100	30400	33700	36900	40100	43200
	Power (Watts)									4310	4220	4140	4060	3990	3930	3880	3840
	Current (Amps)									8.0	8.0	8.0	8.0	7.9	7.8	7.7	7.6
	Flow Rate (lbs/hr)									311	357	404	450	496	540	583	625
	EER (Btu/Watt-hr)									4.8	5.6	6.5	7.5	8.4	9.4	10.4	11.3
140	Capacity (Btu/hr)											22100	25000	28000	31300	34900	38600
	Power (Watts)											3090	3200	3300	3380	3440	3490
	Current (Amps)											14.7	15.2	15.7	16.1	16.4	16.6
	Flow Rate (lbs/hr)											349	392	437	484	534	586
	EER (Btu/Watt-hr)											7.2	7.8	8.5	9.3	10.1	11.1
150	Capacity (Btu/hr)													28000	31300	34900	38600
	Power (Watts)													3300	3380	3440	3490
	Current (Amps)													15.7	16.1	16.4	16.6
	Flow Rate (lbs/hr)													437	484	534	586
	EER (Btu/Watt-hr)													8.5	9.3	10.1	11.1

\* Specifications are subject to change without notice

Data Based on 380 volts

## MODEL XNH442HE

380/415 VOLTS, THREE PHASE, 50HZ, R-410A

### NOMINAL PERFORMANCE AT ASRE/T 380 VOLTS

Capacity (Btu/hr) .....	37,300
EER (Btu/W-hr).....	9.5
Power (W).....	3,935
Current (A).....	7.9

### RATING CONDITIONS AT ASRE/T

Condensing Temp. (Deg. F) .....	130
Evaporating Temp. (Deg. F) .....	45
Return Gas Temp. (Deg. F) .....	95
Liquid Temp. (Deg. F).....	115
Ambient Temp. (Deg. F) .....	95

### MOTOR

Operating Voltage Range.....	342-457
Locked Rotor Amps.....	55.2
Maximum Continuous Current.....	12.5
Rated Load Amps.....	8.0

### ELECTRICAL COMPONENTS

Motor Protector Type.....	Internal
Run Capacitor Type.....	N/A

### OIL

Oil Type.....	POE / Hatco FRL 32ST
Initial Charge (oz.) .....	53
Re-Charge (oz.) .....	44

### COMPRESSOR

Maximum Discharge Temp. (Deg. F) .....	280
Displacement (cu. in / rev).....	2.60
Weight (lbs.,Wet) .....	82.0
UL/CSA File #.....	SA11565

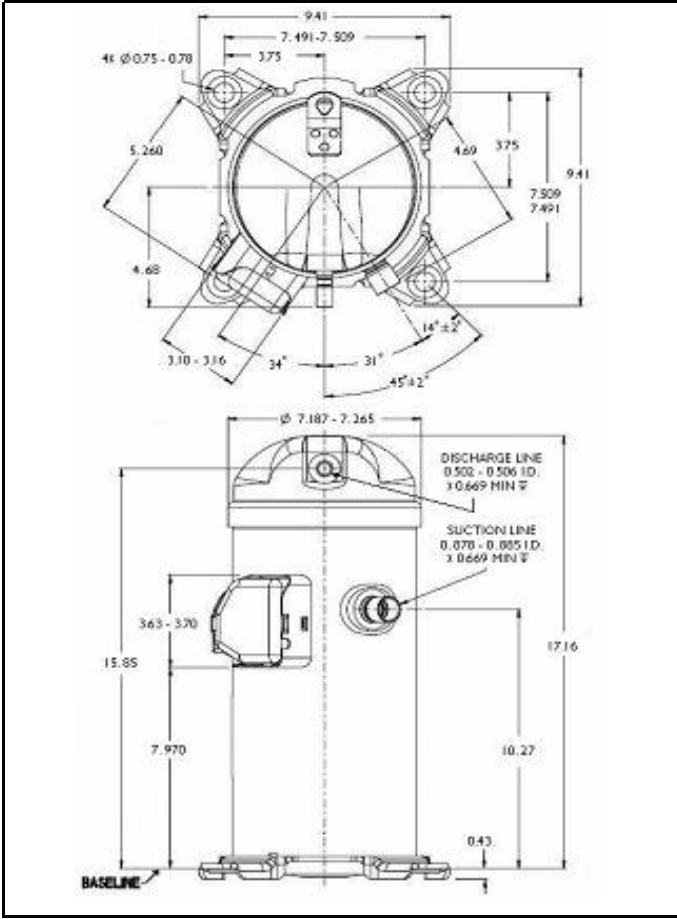
Specifications are subject to change without notice  
 Nominal performance value +/- 5%  
 Ratings generated with air over compressor

#### Carlyle Compressor Company

In the U.S.A. and Puerto Rico: 1-800-GO-CARLYLE (1-800-462-2759)  
 Canada: 1-800-258-1123  
 Mexico: 001-800-462-2759  
 Fax: 315-432-3274

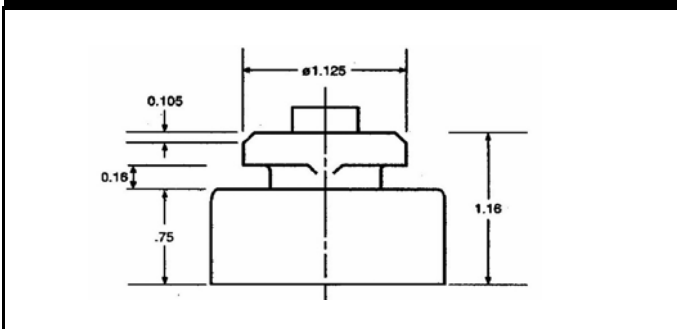
**37300 Btu/hr**

### XN MODEL OUTLINE DIMENSIONS



Dimensions given in Inches

### ISOLATOR MOUNTING DIAGRAM



**MODEL:** XNH442HE      **SUBCOOLING:** 15' F  
**VOLTAGE:** 380/415-3-50      **SUPERHEAT:** 20' F  
**REFRIGERANT:** R-410A      **RATING DATE:** Aug-06



Saturated Condensing		Saturated Evaporating Temperature (Degrees F)															
		-20	-15	-10	-5	0	5	10	15	20	25	30	35	40	45	50	55
80	Capacity (Btu/hr)	9900	12000	14300	17000	19800	22900	26100	29500	33000	36600	40300	44000	47700	51300	54900	58400
	Power (Watts)	2020	2040	2040	2040	2020	2000	1970	1930	1900	1860	1820	1780	1740	1700	1670	1640
	Current (Amps)	3.1	3.1	3.0	3.0	3.0	3.0	3.0	3.0	3.0	3.0	3.1	3.1	3.2	3.2	3.3	3.5
	Flow Rate (lbs/hr)	123	146	173	203	235	269	305	342	381	421	460	501	541	580	618	656
	EER (Btu/Watt-hr)	4.9	5.9	7.0	8.3	9.8	11.5	13.3	15.3	17.4	19.7	22.2	24.8	27.4	30.2	32.9	35.6
90	Capacity (Btu/hr)		10400	12700	15200	18000	21000	24200	27500	30900	34400	37900	41500	45100	48700	52100	55500
	Power (Watts)		2370	2370	2360	2340	2310	2280	2250	2210	2180	2140	2100	2070	2040	2010	1990
	Current (Amps)		3.6	3.6	3.6	3.7	3.7	3.7	3.7	3.7	3.7	3.7	3.7	3.8	3.8	3.9	4.0
	Flow Rate (lbs/hr)		132	160	191	224	259	295	334	373	413	453	493	533	573	611	648
	EER (Btu/Watt-hr)		4.4	5.4	6.5	7.7	9.1	10.6	12.2	13.9	15.8	17.7	19.8	21.8	23.9	25.9	27.8
100	Capacity (Btu/hr)			10900	13400	16100	19000	22100	25300	28600	32100	35500	39000	42500	46000	49400	52700
	Power (Watts)			2800	2770	2750	2710	2670	2630	2590	2550	2510	2470	2440	2410	2390	2370
	Current (Amps)			4.3	4.3	4.4	4.4	4.4	4.5	4.5	4.5	4.5	4.5	4.5	4.5	4.5	4.6
	Flow Rate (lbs/hr)			143	176	210	246	284	324	364	405	446	487	527	567	606	643
	EER (Btu/Watt-hr)			3.9	4.8	5.9	7.0	8.3	9.6	11.0	12.6	14.2	15.8	17.4	19.1	20.7	22.2
110	Capacity (Btu/hr)					14000	16800	19800	23000	26300	29600	33000	36400	39800	43200	46500	49800
	Power (Watts)					3260	3210	3160	3110	3060	3000	2950	2910	2870	2830	2810	2790
	Current (Amps)					5.2	5.3	5.3	5.4	5.4	5.4	5.4	5.4	5.4	5.3	5.3	5.3
	Flow Rate (lbs/hr)					191	230	269	310	352	394	437	479	521	561	601	639
	EER (Btu/Watt-hr)					4.3	5.2	6.3	7.4	8.6	9.9	11.2	12.5	13.9	15.3	16.6	17.8
120	Capacity (Btu/hr)							17300	20400	23600	26900	30200	33600	36900	40200	43500	46700
	Power (Watts)							3760	3690	3620	3550	3490	3430	3380	3330	3300	3270
	Current (Amps)							6.5	6.5	6.5	6.6	6.5	6.5	6.5	6.4	6.4	6.3
	Flow Rate (lbs/hr)							248	291	335	379	423	467	511	553	594	634
	EER (Btu/Watt-hr)							4.6	5.5	6.5	7.6	8.7	9.8	10.9	12.1	13.2	14.3
130	Capacity (Btu/hr)									20500	23800	27100	30400	33700	36900	40100	43200
	Power (Watts)									4310	4220	4140	4060	3990	3930	3880	3840
	Current (Amps)									8.0	8.0	8.0	8.0	7.9	7.8	7.7	7.6
	Flow Rate (lbs/hr)									311	357	404	450	496	540	583	625
	EER (Btu/Watt-hr)									4.8	5.6	6.5	7.5	8.4	9.4	10.4	11.3
140	Capacity (Btu/hr)											22100	25000	28000	31300	34900	38600
	Power (Watts)											3090	3200	3300	3380	3440	3490
	Current (Amps)											14.7	15.2	15.7	16.1	16.4	16.6
	Flow Rate (lbs/hr)											349	392	437	484	534	586
	EER (Btu/Watt-hr)											7.2	7.8	8.5	9.3	10.1	11.1
150	Capacity (Btu/hr)													28000	31300	34900	38600
	Power (Watts)													3300	3380	3440	3490
	Current (Amps)													15.7	16.1	16.4	16.6
	Flow Rate (lbs/hr)													437	484	534	586
	EER (Btu/Watt-hr)													8.5	9.3	10.1	11.1

\* Specifications are subject to change without notice

Data Based on 380 volts

## MODEL XNH442HU

380/415 VOLTS, THREE PHASE, 50HZ, R-410A

### NOMINAL PERFORMANCE AT ASRE/T 380 VOLTS

Capacity (Btu/hr) .....	37,300
EER (Btu/W-hr).....	9.5
Power (W).....	3,935
Current (A).....	7.9

### RATING CONDITIONS AT ASRE/T

Condensing Temp. (Deg. F) .....	130
Evaporating Temp. (Deg. F) .....	45
Return Gas Temp. (Deg. F) .....	95
Liquid Temp. (Deg. F).....	115
Ambient Temp. (Deg. F) .....	95

### MOTOR

Operating Voltage Range.....	342-457
Locked Rotor Amps.....	55.2
Maximum Continuous Current.....	12.5
Rated Load Amps.....	8.0

### ELECTRICAL COMPONENTS

Motor Protector Type.....	Internal
Run Capacitor Type.....	N/A

### OIL

Oil Type.....	POE / Hatco FRL 32ST
Initial Charge (oz.) .....	53
Re-Charge (oz.) .....	44

### COMPRESSOR

Maximum Discharge Temp. (Deg. F) .....	280
Displacement (cu. in / rev).....	2.60
Weight (lbs.,Wet) .....	82.0
UL/CSA File # .....	SA11565

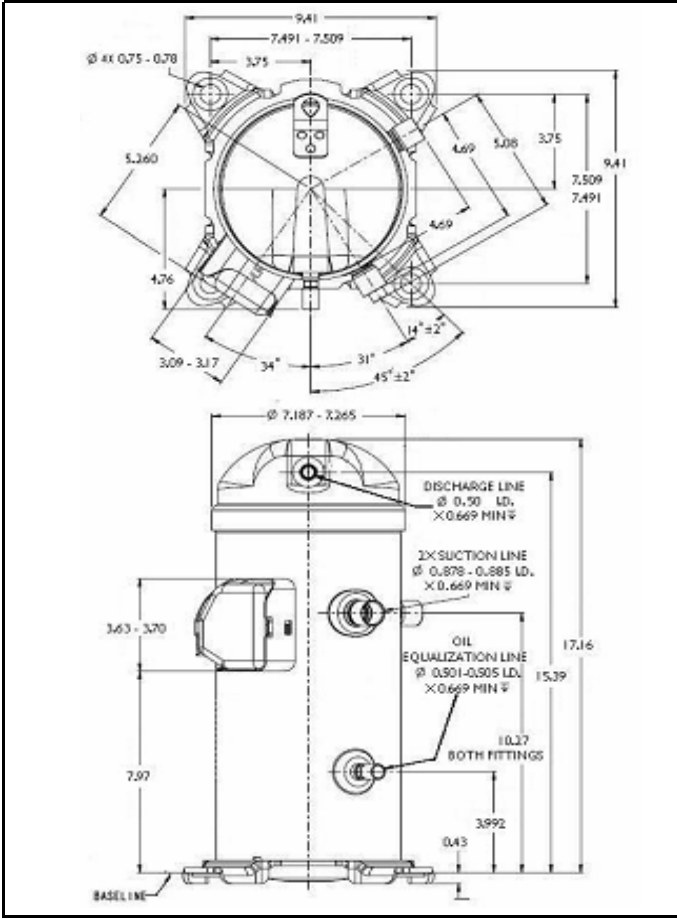
Specifications are subject to change without notice  
 Nominal performance value +/- 5%  
 Ratings generated with air over compressor

#### Carlyle Compressor Company

In the U.S.A. and Puerto Rico: 1-800-GO-CARLYLE (1-800-462-2759)  
 Canada: 1-800-258-1123  
 Mexico: 001-800-462-2759  
 Fax: 315-432-3274

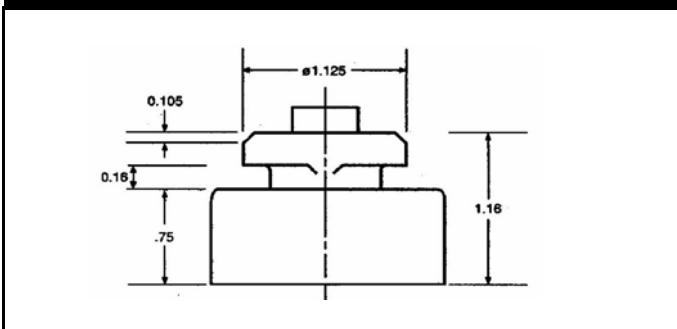
**37300 Btu/hr**

### XN MODEL OUTLINE DIMENSIONS



Dimensions given in Inches

### ISOLATOR MOUNTING DIAGRAM



**MODEL:** XNH442HU      **SUBCOOLING:** 15' F  
**VOLTAGE:** 380/415-3-50      **SUPERHEAT:** 20' F  
**REFRIGERANT:** R-410A      **RATING DATE:** Aug-06



Saturated Condensing		Saturated Evaporating Temperature (Degrees F)															
		-20	-15	-10	-5	0	5	10	15	20	25	30	35	40	45	50	55
80	Capacity (Btu/hr)	9900	12000	14300	17000	19800	22900	26100	29500	33000	36600	40300	44000	47700	51300	54900	58400
	Power (Watts)	2020	2040	2040	2040	2020	2000	1970	1930	1900	1860	1820	1780	1740	1700	1670	1640
	Current (Amps)	3.1	3.1	3.0	3.0	3.0	3.0	3.0	3.0	3.0	3.0	3.1	3.1	3.2	3.2	3.3	3.5
	Flow Rate (lbs/hr)	123	146	173	203	235	269	305	342	381	421	460	501	541	580	618	656
	EER (Btu/Watt-hr)	4.9	5.9	7.0	8.3	9.8	11.5	13.3	15.3	17.4	19.7	22.2	24.8	27.4	30.2	32.9	35.6
90	Capacity (Btu/hr)		10400	12700	15200	18000	21000	24200	27500	30900	34400	37900	41500	45100	48700	52100	55500
	Power (Watts)		2370	2370	2360	2340	2310	2280	2250	2210	2180	2140	2100	2070	2040	2010	1990
	Current (Amps)		3.6	3.6	3.6	3.7	3.7	3.7	3.7	3.7	3.7	3.7	3.7	3.8	3.8	3.9	4.0
	Flow Rate (lbs/hr)		132	160	191	224	259	295	334	373	413	453	493	533	573	611	648
	EER (Btu/Watt-hr)		4.4	5.4	6.5	7.7	9.1	10.6	12.2	13.9	15.8	17.7	19.8	21.8	23.9	25.9	27.8
100	Capacity (Btu/hr)			10900	13400	16100	19000	22100	25300	28600	32100	35500	39000	42500	46000	49400	52700
	Power (Watts)			2800	2770	2750	2710	2670	2630	2590	2550	2510	2470	2440	2410	2390	2370
	Current (Amps)			4.3	4.3	4.4	4.4	4.4	4.5	4.5	4.5	4.5	4.5	4.5	4.5	4.5	4.6
	Flow Rate (lbs/hr)			143	176	210	246	284	324	364	405	446	487	527	567	606	643
	EER (Btu/Watt-hr)			3.9	4.8	5.9	7.0	8.3	9.6	11.0	12.6	14.2	15.8	17.4	19.1	20.7	22.2
110	Capacity (Btu/hr)				14000	16800	19800	23000	26300	29600	33000	36400	39800	43200	46500	49800	
	Power (Watts)				3260	3210	3160	3110	3060	3000	2950	2910	2870	2830	2810	2790	
	Current (Amps)				5.2	5.3	5.3	5.4	5.4	5.4	5.4	5.4	5.4	5.3	5.3	5.3	
	Flow Rate (lbs/hr)				191	230	269	310	352	394	437	479	521	561	601	639	
	EER (Btu/Watt-hr)				4.3	5.2	6.3	7.4	8.6	9.9	11.2	12.5	13.9	15.3	16.6	17.8	
120	Capacity (Btu/hr)					17300	20400	23600	26900	30200	33600	36900	40200	43500	46700		
	Power (Watts)					3760	3690	3620	3550	3490	3430	3380	3330	3300	3270		
	Current (Amps)					6.5	6.5	6.5	6.6	6.5	6.5	6.5	6.4	6.4	6.3		
	Flow Rate (lbs/hr)					248	291	335	379	423	467	511	553	594	634		
	EER (Btu/Watt-hr)					4.6	5.5	6.5	7.6	8.7	9.8	10.9	12.1	13.2	14.3		
130	Capacity (Btu/hr)							20500	23800	27100	30400	33700	36900	40100	43200		
	Power (Watts)							4310	4220	4140	4060	3990	3930	3880	3840		
	Current (Amps)							8.0	8.0	8.0	8.0	7.9	7.8	7.7	7.6		
	Flow Rate (lbs/hr)							311	357	404	450	496	540	583	625		
	EER (Btu/Watt-hr)							4.8	5.6	6.5	7.5	8.4	9.4	10.4	11.3		
140	Capacity (Btu/hr)									22100	25000	28000	31300	34900	38600		
	Power (Watts)									3090	3200	3300	3380	3440	3490		
	Current (Amps)									14.7	15.2	15.7	16.1	16.4	16.6		
	Flow Rate (lbs/hr)									349	392	437	484	534	586		
	EER (Btu/Watt-hr)									7.2	7.8	8.5	9.3	10.1	11.1		
150	Capacity (Btu/hr)											28000	31300	34900	38600		
	Power (Watts)											3300	3380	3440	3490		
	Current (Amps)											15.7	16.1	16.4	16.6		
	Flow Rate (lbs/hr)											437	484	534	586		
	EER (Btu/Watt-hr)											8.5	9.3	10.1	11.1		

\* Specifications are subject to change without notice

Data Based on 380 volts

**MODEL XNH492HA**

**380/415 VOLTS, THREE PHASE, 50HZ, R-410A**

**NOMINAL PERFORMANCE AT ASRE/T 380 VOLTS**

Capacity (Btu/hr) .....	41,700
EER (Btu/W-hr).....	10.3
Power (W).....	4,050
Current (A).....	6.9

**RATING CONDITIONS AT ASRE/T**

Condensing Temp. (Deg. F) .....	130
Evaporating Temp. (Deg. F) .....	45
Return Gas Temp. (Deg. F) .....	95
Liquid Temp. (Deg. F).....	115
Ambient Temp. (Deg. F) .....	95

**MOTOR**

Operating Voltage Range.....	342-457
Locked Rotor Amps.....	60.0
Maximum Continuous Current.....	13.5
Rated Load Amps.....	8.6

**ELECTRICAL COMPONENTS**

Motor Protector Type.....	Internal
Run Capacitor Type.....	N/A

**OIL**

Oil Type.....	POE / Hatco FRL 32ST
Initial Charge (oz.) .....	53
Re-Charge (oz.) .....	44

**COMPRESSOR**

Maximum Discharge Temp. (Deg. F) .....	280
Displacement (cu. in / rev).....	2.89
Weight (lbs.,Wet) .....	82.0
UL/CSA File #.....	SA11565

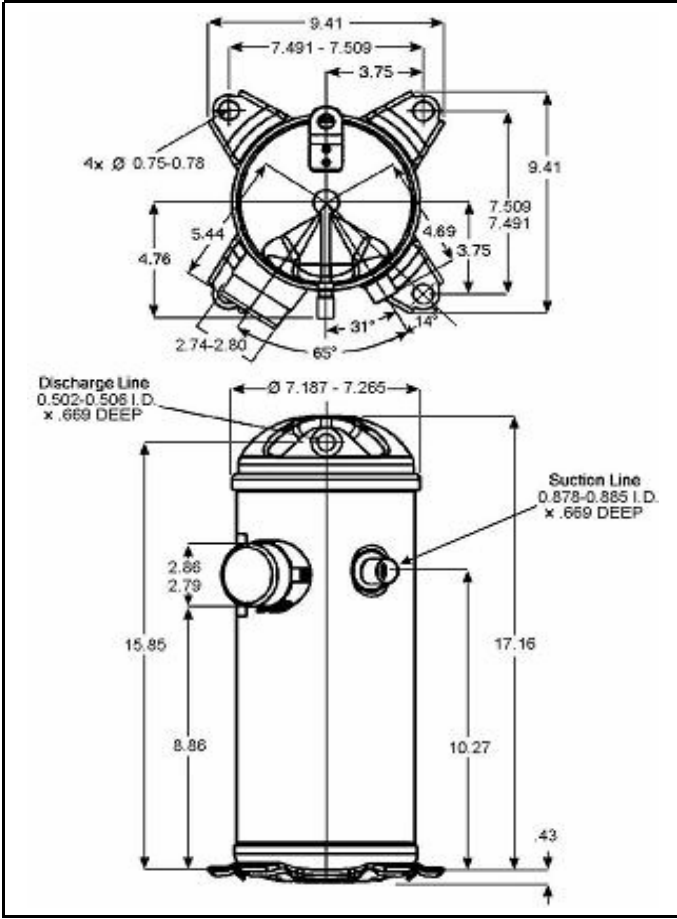
Specifications are subject to change without notice  
 Nominal performance value +/- 5%  
 Ratings generated with air over compressor

**Carlyle Compressor Company**

In the U.S.A. and Puerto Rico: 1-800-GO-CARLYLE (1-800-462-2759)  
 Canada: 1-800-258-1123  
 Mexico: 001-800-462-2759  
 Fax: 315-432-3274

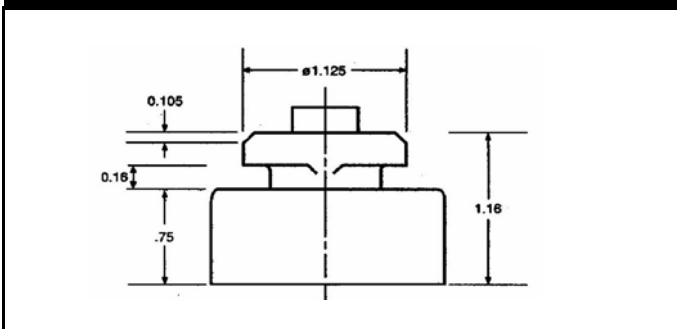
**41700 Btu/hr**

**XN MODEL OUTLINE DIMENSIONS**



Dimensions given in Inches

**ISOLATOR MOUNTING DIAGRAM**



**MODEL:** XNH492HA      **SUBCOOLING:** 15' F  
**VOLTAGE:** 380/415-3-50      **SUPERHEAT:** 20' F  
**REFRIGERANT:** R-410A      **RATING DATE:** Aug-06



Saturated Condensing		Saturated Evaporating Temperature (Degrees F)															
		-20	-15	-10	-5	0	5	10	15	20	25	30	35	40	45	50	55
80	Capacity (Btu/hr)	11000	13300	15900	18700	21900	25300	28900	32600	36500	40500	44500	48600	52600	56700	60600	64400
	Power (Watts)	2380	2400	2410	2400	2380	2350	2320	2280	2230	2190	2140	2090	2050	2020	1990	1970
	Current (Amps)	2.6	2.6	2.6	2.6	2.6	2.6	2.6	2.6	2.6	2.6	2.6	2.7	2.7	2.8	2.9	3.0
	Flow Rate (lbs/hr)	136	162	191	224	259	297	337	378	421	465	509	553	597	640	683	724
	EER (Btu/Watt-hr)	4.6	5.5	6.6	7.8	9.2	10.7	12.5	14.3	16.3	18.5	20.8	23.2	25.6	28.1	30.4	32.6
90	Capacity (Btu/hr)		11600	14100	16900	19900	23200	26700	30400	34200	38000	42000	45900	49900	53800	57700	61400
	Power (Watts)		2740	2740	2730	2710	2680	2650	2610	2570	2520	2480	2430	2400	2370	2350	2330
	Current (Amps)		3.1	3.1	3.2	3.2	3.2	3.2	3.2	3.2	3.2	3.2	3.2	3.3	3.3	3.4	3.4
	Flow Rate (lbs/hr)		146	177	211	248	286	327	369	413	457	501	546	590	633	676	717
	EER (Btu/Watt-hr)		4.2	5.1	6.2	7.4	8.7	10.1	11.6	13.3	15.1	17.0	18.9	20.8	22.7	24.6	26.3
100	Capacity (Btu/hr)			12100	14900	17900	21100	24500	28100	31800	35600	39400	43300	47200	51000	54800	58400
	Power (Watts)			3140	3130	3100	3070	3030	2980	2930	2890	2840	2800	2760	2730	2700	2690
	Current (Amps)			3.7	3.7	3.8	3.8	3.8	3.9	3.9	3.9	3.9	3.9	3.9	3.9	3.9	3.9
	Flow Rate (lbs/hr)			159	195	233	273	315	359	404	449	494	540	585	629	672	713
	EER (Btu/Watt-hr)			3.9	4.8	5.8	6.9	8.1	9.4	10.8	12.3	13.9	15.5	17.1	18.7	20.3	21.7
110	Capacity (Btu/hr)				15600	18700	22100	25600	29200	32900	36700	40500	44300	48100	51800	55300	
	Power (Watts)				3570	3520	3470	3420	3360	3300	3250	3200	3150	3110	3090	3070	
	Current (Amps)				4.5	4.6	4.6	4.7	4.7	4.7	4.7	4.7	4.6	4.6	4.6	4.6	
	Flow Rate (lbs/hr)				213	255	300	345	391	438	486	533	579	624	669	711	
	EER (Btu/Watt-hr)				4.4	5.3	6.4	7.5	8.7	10.0	11.3	12.7	14.1	15.4	16.8	18.0	
120	Capacity (Btu/hr)						19300	22700	26300	30000	33700	37400	41200	44900	48500	52000	
	Power (Watts)						4000	3930	3860	3790	3720	3650	3600	3550	3510	3480	
	Current (Amps)						5.6	5.7	5.7	5.7	5.7	5.6	5.6	5.6	5.5	5.5	
	Flow Rate (lbs/hr)						277	325	374	423	472	521	570	617	663	707	
	EER (Btu/Watt-hr)						4.8	5.8	6.8	7.9	9.1	10.2	11.4	12.6	13.8	14.9	
130	Capacity (Btu/hr)								23000	26600	30300	34000	37700	41300	44900	48400	
	Power (Watts)								4440	4350	4270	4190	4110	4050	3990	3950	
	Current (Amps)								6.9	6.9	6.9	6.9	6.8	6.8	6.7	6.6	
	Flow Rate (lbs/hr)								347	400	452	503	554	604	652	699	
	EER (Btu/Watt-hr)								5.2	6.1	7.1	8.1	9.2	10.2	11.2	12.2	
140	Capacity (Btu/hr)										22100	25000	28000	31300	34900	38600	
	Power (Watts)										3090	3200	3300	3380	3440	3490	
	Current (Amps)										14.7	15.2	15.7	16.1	16.4	16.6	
	Flow Rate (lbs/hr)										349	392	437	484	534	586	
	EER (Btu/Watt-hr)										7.2	7.8	8.5	9.3	10.1	11.1	
150	Capacity (Btu/hr)												28000	31300	34900	38600	
	Power (Watts)												3300	3380	3440	3490	
	Current (Amps)												15.7	16.1	16.4	16.6	
	Flow Rate (lbs/hr)												437	484	534	586	
	EER (Btu/Watt-hr)												8.5	9.3	10.1	11.1	

\* Specifications are subject to change without notice

Data Based on 380 volts

**MODEL XNH492HE**

**380/415 VOLTS, THREE PHASE, 50HZ, R-410A**

**NOMINAL PERFORMANCE AT ASRE/T 380 VOLTS**

Capacity (Btu/hr) .....	41,700
EER (Btu/W-hr).....	10.3
Power (W).....	4,050
Current (A).....	6.9

**RATING CONDITIONS AT ASRE/T**

Condensing Temp. (Deg. F) .....	130
Evaporating Temp. (Deg. F) .....	45
Return Gas Temp. (Deg. F) .....	95
Liquid Temp. (Deg. F).....	115
Ambient Temp. (Deg. F) .....	95

**MOTOR**

Operating Voltage Range.....	342-457
Locked Rotor Amps.....	60.0
Maximum Continuous Current.....	13.5
Rated Load Amps.....	8.6

**ELECTRICAL COMPONENTS**

Motor Protector Type.....	Internal
Run Capacitor Type.....	N/A

**OIL**

Oil Type.....	POE / Hatco FRL 32ST
Initial Charge (oz.) .....	53
Re-Charge (oz.) .....	44

**COMPRESSOR**

Maximum Discharge Temp. (Deg. F) .....	280
Displacement (cu. in / rev).....	2.89
Weight (lbs.,Wet) .....	82.0
UL/CSA File # .....	SA11565

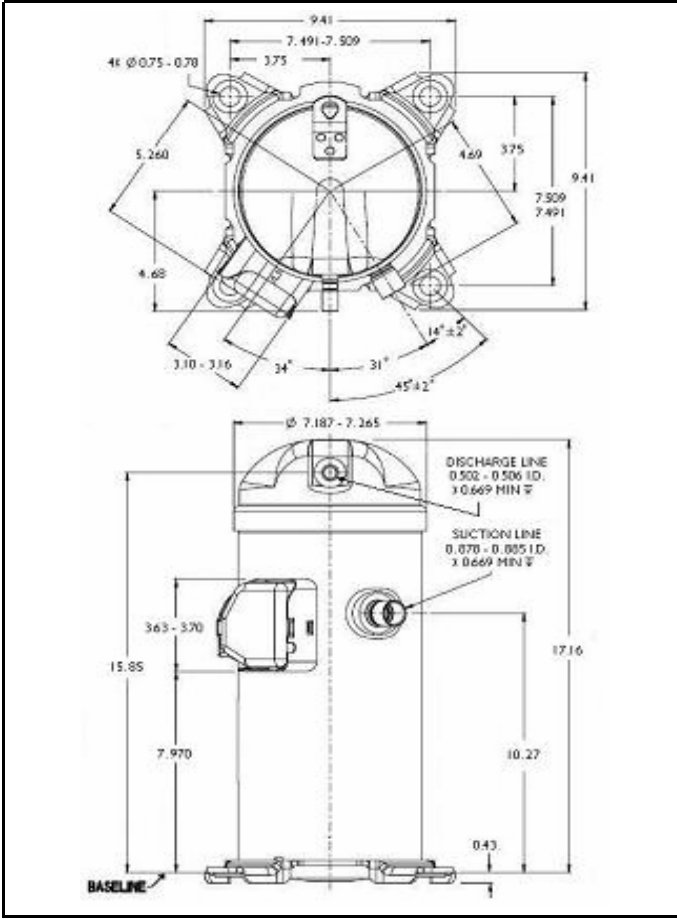
Specifications are subject to change without notice  
 Nominal performance value +/- 5%  
 Ratings generated with air over compressor

**Carlyle Compressor Company**

In the U.S.A. and Puerto Rico: 1-800-GO-CARLYLE (1-800-462-2759)  
 Canada: 1-800-258-1123  
 Mexico: 001-800-462-2759  
 Fax: 315-432-3274

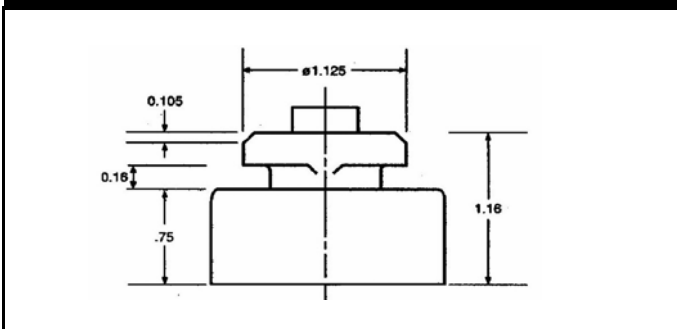
**41700 Btu/hr**

**XN MODEL OUTLINE DIMENSIONS**



Dimensions given in Inches

**ISOLATOR MOUNTING DIAGRAM**



**MODEL:** XNH492HE      **SUBCOOLING:** 15' F  
**VOLTAGE:** 380/415-3-50      **SUPERHEAT:** 20' F  
**REFRIGERANT:** R-410A      **RATING DATE:** Aug-06



Saturated Condensing		Saturated Evaporating Temperature (Degrees F)															
		-20	-15	-10	-5	0	5	10	15	20	25	30	35	40	45	50	55
80	Capacity (Btu/hr)	11000	13300	15900	18700	21900	25300	28900	32600	36500	40500	44500	48600	52600	56700	60600	64400
	Power (Watts)	2380	2400	2410	2400	2380	2350	2320	2280	2230	2190	2140	2090	2050	2020	1990	1970
	Current (Amps)	2.6	2.6	2.6	2.6	2.6	2.6	2.6	2.6	2.6	2.6	2.6	2.7	2.7	2.8	2.9	3.0
	Flow Rate (lbs/hr)	136	162	191	224	259	297	337	378	421	465	509	553	597	640	683	724
	EER (Btu/Watt-hr)	4.6	5.5	6.6	7.8	9.2	10.7	12.5	14.3	16.3	18.5	20.8	23.2	25.6	28.1	30.4	32.6
90	Capacity (Btu/hr)		11600	14100	16900	19900	23200	26700	30400	34200	38000	42000	45900	49900	53800	57700	61400
	Power (Watts)		2740	2740	2730	2710	2680	2650	2610	2570	2520	2480	2430	2400	2370	2350	2330
	Current (Amps)		3.1	3.1	3.2	3.2	3.2	3.2	3.2	3.2	3.2	3.2	3.2	3.3	3.3	3.4	3.4
	Flow Rate (lbs/hr)		146	177	211	248	286	327	369	413	457	501	546	590	633	676	717
	EER (Btu/Watt-hr)		4.2	5.1	6.2	7.4	8.7	10.1	11.6	13.3	15.1	17.0	18.9	20.8	22.7	24.6	26.3
100	Capacity (Btu/hr)			12100	14900	17900	21100	24500	28100	31800	35600	39400	43300	47200	51000	54800	58400
	Power (Watts)			3140	3130	3100	3070	3030	2980	2930	2890	2840	2800	2760	2730	2700	2690
	Current (Amps)			3.7	3.7	3.8	3.8	3.8	3.9	3.9	3.9	3.9	3.9	3.9	3.9	3.9	3.9
	Flow Rate (lbs/hr)			159	195	233	273	315	359	404	449	494	540	585	629	672	713
	EER (Btu/Watt-hr)			3.9	4.8	5.8	6.9	8.1	9.4	10.8	12.3	13.9	15.5	17.1	18.7	20.3	21.7
110	Capacity (Btu/hr)					15600	18700	22100	25600	29200	32900	36700	40500	44300	48100	51800	55300
	Power (Watts)					3570	3520	3470	3420	3360	3300	3250	3200	3150	3110	3090	3070
	Current (Amps)					4.5	4.6	4.6	4.7	4.7	4.7	4.7	4.7	4.6	4.6	4.6	4.6
	Flow Rate (lbs/hr)					213	255	300	345	391	438	486	533	579	624	669	711
	EER (Btu/Watt-hr)					4.4	5.3	6.4	7.5	8.7	10.0	11.3	12.7	14.1	15.4	16.8	18.0
120	Capacity (Btu/hr)							19300	22700	26300	30000	33700	37400	41200	44900	48500	52000
	Power (Watts)							4000	3930	3860	3790	3720	3650	3600	3550	3510	3480
	Current (Amps)							5.6	5.7	5.7	5.7	5.7	5.6	5.6	5.6	5.5	5.5
	Flow Rate (lbs/hr)							277	325	374	423	472	521	570	617	663	707
	EER (Btu/Watt-hr)							4.8	5.8	6.8	7.9	9.1	10.2	11.4	12.6	13.8	14.9
130	Capacity (Btu/hr)									23000	26600	30300	34000	37700	41300	44900	48400
	Power (Watts)									4440	4350	4270	4190	4110	4050	3990	3950
	Current (Amps)									6.9	6.9	6.9	6.9	6.8	6.8	6.7	6.6
	Flow Rate (lbs/hr)									347	400	452	503	554	604	652	699
	EER (Btu/Watt-hr)									5.2	6.1	7.1	8.1	9.2	10.2	11.2	12.2
140	Capacity (Btu/hr)											22100	25000	28000	31300	34900	38600
	Power (Watts)											3090	3200	3300	3380	3440	3490
	Current (Amps)											14.7	15.2	15.7	16.1	16.4	16.6
	Flow Rate (lbs/hr)											349	392	437	484	534	586
	EER (Btu/Watt-hr)											7.2	7.8	8.5	9.3	10.1	11.1
150	Capacity (Btu/hr)													28000	31300	34900	38600
	Power (Watts)													3300	3380	3440	3490
	Current (Amps)													15.7	16.1	16.4	16.6
	Flow Rate (lbs/hr)													437	484	534	586
	EER (Btu/Watt-hr)													8.5	9.3	10.1	11.1

\* Specifications are subject to change without notice

Data Based on 380 volts

**MODEL XNH492HU**

**380/415 VOLTS, THREE PHASE, 50HZ, R-410A**

**NOMINAL PERFORMANCE AT ASRE/T 380 VOLTS**

Capacity (Btu/hr) .....	41,700
EER (Btu/W-hr).....	10.3
Power (W).....	4,050
Current (A).....	6.9

**RATING CONDITIONS AT ASRE/T**

Condensing Temp. (Deg. F) .....	130
Evaporating Temp. (Deg. F) .....	45
Return Gas Temp. (Deg. F) .....	95
Liquid Temp. (Deg. F).....	115
Ambient Temp. (Deg. F) .....	95

**MOTOR**

Operating Voltage Range.....	342-457
Locked Rotor Amps.....	60.0
Maximum Continuous Current.....	13.5
Rated Load Amps.....	8.6

**ELECTRICAL COMPONENTS**

Motor Protector Type.....	Internal
Run Capacitor Type.....	N/A

**OIL**

Oil Type.....	POE / Hatco FRL 32ST
Initial Charge (oz.) .....	53
Re-Charge (oz.) .....	44

**COMPRESSOR**

Maximum Discharge Temp. (Deg. F) .....	280
Displacement (cu. in / rev).....	2.89
Weight (lbs.,Wet) .....	82.0
UL/CSA File # .....	SA11565

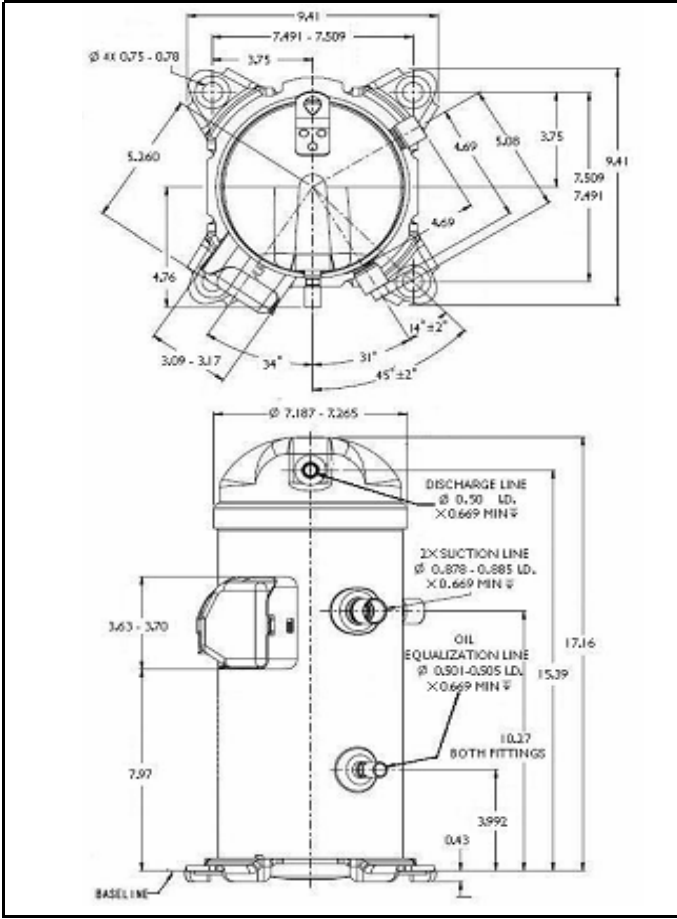
Specifications are subject to change without notice  
 Nominal performance value +/- 5%  
 Ratings generated with air over compressor

**Carlyle Compressor Company**

In the U.S.A. and Puerto Rico: 1-800-GO-CARLYLE (1-800-462-2759)  
 Canada: 1-800-258-1123  
 Mexico: 001-800-462-2759  
 Fax: 315-432-3274

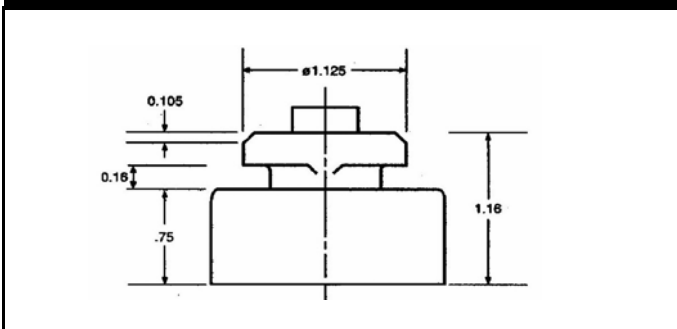
**41700 Btu/hr**

**XN MODEL OUTLINE DIMENSIONS**



Dimensions given in Inches

**ISOLATOR MOUNTING DIAGRAM**



**MODEL:** XNH492HU      **SUBCOOLING:** 15' F  
**VOLTAGE:** 380/415-3-50      **SUPERHEAT:** 20' F  
**REFRIGERANT:** R-410A      **RATING DATE:** Aug-06



Saturated Condensing		Saturated Evaporating Temperature (Degrees F)															
		-20	-15	-10	-5	0	5	10	15	20	25	30	35	40	45	50	55
80	Capacity (Btu/hr)	11000	13300	15900	18700	21900	25300	28900	32600	36500	40500	44500	48600	52600	56700	60600	64400
	Power (Watts)	2380	2400	2410	2400	2380	2350	2320	2280	2230	2190	2140	2090	2050	2020	1990	1970
	Current (Amps)	2.6	2.6	2.6	2.6	2.6	2.6	2.6	2.6	2.6	2.6	2.6	2.7	2.7	2.8	2.9	3.0
	Flow Rate (lbs/hr)	136	162	191	224	259	297	337	378	421	465	509	553	597	640	683	724
	EER (Btu/Watt-hr)	4.6	5.5	6.6	7.8	9.2	10.7	12.5	14.3	16.3	18.5	20.8	23.2	25.6	28.1	30.4	32.6
90	Capacity (Btu/hr)		11600	14100	16900	19900	23200	26700	30400	34200	38000	42000	45900	49900	53800	57700	61400
	Power (Watts)		2740	2740	2730	2710	2680	2650	2610	2570	2520	2480	2430	2400	2370	2350	2330
	Current (Amps)		3.1	3.1	3.2	3.2	3.2	3.2	3.2	3.2	3.2	3.2	3.2	3.3	3.3	3.4	3.4
	Flow Rate (lbs/hr)		146	177	211	248	286	327	369	413	457	501	546	590	633	676	717
	EER (Btu/Watt-hr)		4.2	5.1	6.2	7.4	8.7	10.1	11.6	13.3	15.1	17.0	18.9	20.8	22.7	24.6	26.3
100	Capacity (Btu/hr)			12100	14900	17900	21100	24500	28100	31800	35600	39400	43300	47200	51000	54800	58400
	Power (Watts)			3140	3130	3100	3070	3030	2980	2930	2890	2840	2800	2760	2730	2700	2690
	Current (Amps)			3.7	3.7	3.8	3.8	3.8	3.9	3.9	3.9	3.9	3.9	3.9	3.9	3.9	3.9
	Flow Rate (lbs/hr)			159	195	233	273	315	359	404	449	494	540	585	629	672	713
	EER (Btu/Watt-hr)			3.9	4.8	5.8	6.9	8.1	9.4	10.8	12.3	13.9	15.5	17.1	18.7	20.3	21.7
110	Capacity (Btu/hr)					15600	18700	22100	25600	29200	32900	36700	40500	44300	48100	51800	55300
	Power (Watts)					3570	3520	3470	3420	3360	3300	3250	3200	3150	3110	3090	3070
	Current (Amps)					4.5	4.6	4.6	4.7	4.7	4.7	4.7	4.7	4.6	4.6	4.6	4.6
	Flow Rate (lbs/hr)					213	255	300	345	391	438	486	533	579	624	669	711
	EER (Btu/Watt-hr)					4.4	5.3	6.4	7.5	8.7	10.0	11.3	12.7	14.1	15.4	16.8	18.0
120	Capacity (Btu/hr)							19300	22700	26300	30000	33700	37400	41200	44900	48500	52000
	Power (Watts)							4000	3930	3860	3790	3720	3650	3600	3550	3510	3480
	Current (Amps)							5.6	5.7	5.7	5.7	5.7	5.6	5.6	5.6	5.5	5.5
	Flow Rate (lbs/hr)							277	325	374	423	472	521	570	617	663	707
	EER (Btu/Watt-hr)							4.8	5.8	6.8	7.9	9.1	10.2	11.4	12.6	13.8	14.9
130	Capacity (Btu/hr)									23000	26600	30300	34000	37700	41300	44900	48400
	Power (Watts)									4440	4350	4270	4190	4110	4050	3990	3950
	Current (Amps)									6.9	6.9	6.9	6.9	6.8	6.8	6.7	6.6
	Flow Rate (lbs/hr)									347	400	452	503	554	604	652	699
	EER (Btu/Watt-hr)									5.2	6.1	7.1	8.1	9.2	10.2	11.2	12.2
140	Capacity (Btu/hr)											22100	25000	28000	31300	34900	38600
	Power (Watts)											3090	3200	3300	3380	3440	3490
	Current (Amps)											14.7	15.2	15.7	16.1	16.4	16.6
	Flow Rate (lbs/hr)											349	392	437	484	534	586
	EER (Btu/Watt-hr)											7.2	7.8	8.5	9.3	10.1	11.1
150	Capacity (Btu/hr)													28000	31300	34900	38600
	Power (Watts)													3300	3380	3440	3490
	Current (Amps)													15.7	16.1	16.4	16.6
	Flow Rate (lbs/hr)													437	484	534	586
	EER (Btu/Watt-hr)													8.5	9.3	10.1	11.1

\* Specifications are subject to change without notice

Data Based on 380 volts

## MODEL XNH512HA

380/415 VOLTS, THREE PHASE, 50HZ, R-410A

### NOMINAL PERFORMANCE AT ASRE/T 380 VOLTS

Capacity (Btu/hr) .....	44,300
EER (Btu/W-hr).....	10.5
Power (W).....	4,220
Current (A).....	6.9

### RATING CONDITIONS AT ASRE/T

Condensing Temp. (Deg. F) .....	130
Evaporating Temp. (Deg. F) .....	45
Return Gas Temp. (Deg. F) .....	95
Liquid Temp. (Deg. F).....	115
Ambient Temp. (Deg. F) .....	95

### MOTOR

Operating Voltage Range.....	342-457
Locked Rotor Amps.....	70.0
Maximum Continuous Current.....	13.0
Rated Load Amps.....	8.3

### ELECTRICAL COMPONENTS

Motor Protector Type.....	Internal
Run Capacitor Type.....	N/A

### OIL

Oil Type.....	POE / Hatco FRL 32ST
Initial Charge (oz.) .....	53
Re-Charge (oz.) .....	44

### COMPRESSOR

Maximum Discharge Temp. (Deg. F) .....	280
Displacement (cu. in / rev).....	3.01
Weight (lbs.,Wet) .....	82.0
UL/CSA File #.....	SA11565

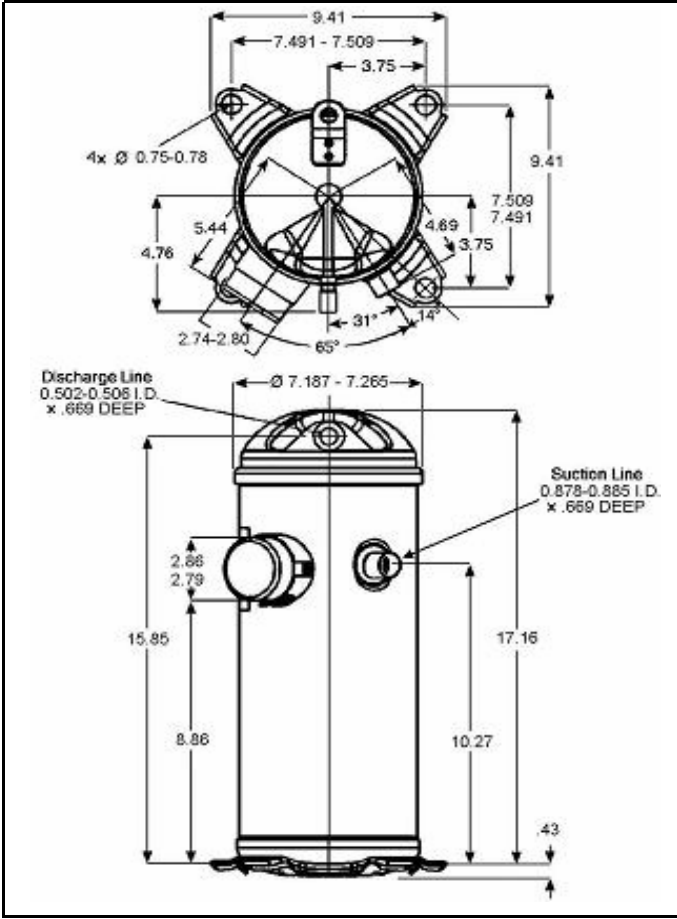
Specifications are subject to change without notice  
 Nominal performance value +/- 5%  
 Ratings generated with air over compressor

### Carlyle Compressor Company

In the U.S.A. and Puerto Rico: 1-800-GO-CARLYLE (1-800-462-2759)  
 Canada: 1-800-258-1123  
 Mexico: 001-800-462-2759  
 Fax: 315-432-3274

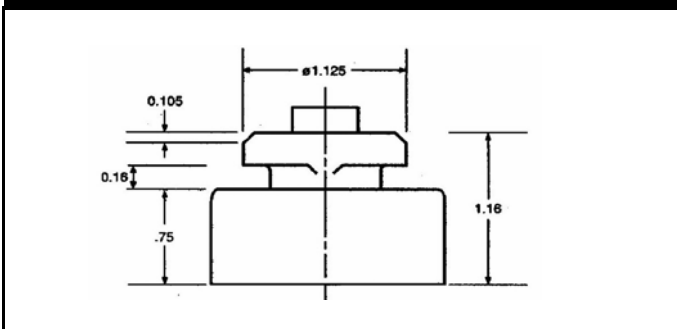
44300 Btu/hr

### XN MODEL OUTLINE DIMENSIONS



Dimensions given in Inches

### ISOLATOR MOUNTING DIAGRAM



**MODEL:** XNH512HA      **SUBCOOLING:** 15' F  
**VOLTAGE:** 380/415-3-50      **SUPERHEAT:** 20' F  
**REFRIGERANT:** R-410A      **RATING DATE:** Aug-06



Saturated Condensing		Saturated Evaporating Temperature (Degrees F)															
		-20	-15	-10	-5	0	5	10	15	20	25	30	35	40	45	50	55
80	Capacity (Btu/hr)	11700	14100	16900	20000	23300	26900	30700	34700	38900	43100	47400	51700	56000	60300	64500	68600
	Power (Watts)	2430	2450	2450	2450	2430	2400	2360	2320	2280	2230	2180	2130	2090	2060	2030	2010
	Current (Amps)	2.6	2.6	2.6	2.6	2.6	2.6	2.6	2.6	2.6	2.6	2.6	2.7	2.7	2.8	2.9	3.0
	Flow Rate (lbs/hr)	144	172	204	238	276	316	359	403	448	495	542	589	636	682	727	771
	EER (Btu/Watt-hr)	4.8	5.8	6.9	8.2	9.6	11.2	13.0	15.0	17.1	19.3	21.7	24.2	26.8	29.3	31.8	34.2
90	Capacity (Btu/hr)		12300	15000	18000	21200	24700	28500	32300	36400	40500	44700	48900	53100	57300	61400	65400
	Power (Watts)		2800	2800	2790	2770	2740	2710	2670	2620	2580	2530	2490	2450	2420	2390	2380
	Current (Amps)		3.1	3.1	3.2	3.2	3.2	3.2	3.2	3.2	3.2	3.2	3.2	3.3	3.3	3.4	3.4
	Flow Rate (lbs/hr)		156	189	225	263	305	348	393	439	486	533	581	628	674	720	763
	EER (Btu/Watt-hr)		4.4	5.3	6.4	7.7	9.0	10.5	12.1	13.9	15.7	17.7	19.7	21.7	23.7	25.6	27.5
100	Capacity (Btu/hr)			12900	15800	19000	22400	26100	29900	33800	37800	41900	46100	50200	54300	58300	62200
	Power (Watts)			3230	3210	3180	3150	3110	3060	3010	2960	2910	2870	2830	2800	2770	2760
	Current (Amps)			3.7	3.7	3.8	3.8	3.8	3.9	3.9	3.9	3.9	3.9	3.9	3.9	3.9	3.9
	Flow Rate (lbs/hr)			169	207	248	291	336	382	429	478	526	574	622	669	715	759
	EER (Btu/Watt-hr)			4.0	4.9	6.0	7.1	8.4	9.8	11.2	12.8	14.4	16.1	17.7	19.4	21.0	22.5
110	Capacity (Btu/hr)				16500	19900	23500	27200	31000	35000	39000	43100	47100	51100	55000	58900	
	Power (Watts)				3680	3630	3580	3520	3460	3400	3350	3290	3250	3210	3180	3160	
	Current (Amps)				4.5	4.6	4.6	4.7	4.7	4.7	4.7	4.7	4.6	4.6	4.6	4.6	
	Flow Rate (lbs/hr)				226	272	319	367	416	466	516	566	616	664	711	756	
	EER (Btu/Watt-hr)				4.5	5.5	6.6	7.7	9.0	10.3	11.7	13.1	14.5	15.9	17.3	18.6	
120	Capacity (Btu/hr)						20500	24100	28000	31800	35800	39800	43800	47700	51600	55300	
	Power (Watts)						4140	4070	3990	3920	3850	3790	3730	3680	3640	3610	
	Current (Amps)						5.6	5.7	5.7	5.7	5.7	5.6	5.6	5.6	5.5	5.5	
	Flow Rate (lbs/hr)						294	345	397	450	502	554	605	656	705	751	
	EER (Btu/Watt-hr)						4.9	5.9	7.0	8.1	9.3	10.5	11.7	13.0	14.2	15.3	
130	Capacity (Btu/hr)								24400	28200	32200	36100	40000	43900	47700	51400	
	Power (Watts)								4630	4530	4450	4360	4280	4220	4160	4120	
	Current (Amps)								6.9	6.9	6.9	6.9	6.8	6.8	6.7	6.6	
	Flow Rate (lbs/hr)								369	424	480	535	589	642	693	742	
	EER (Btu/Watt-hr)								5.3	6.2	7.2	8.3	9.3	10.4	11.5	12.5	
140	Capacity (Btu/hr)											22100	25000	28000	31300	34900	38600
	Power (Watts)											3090	3200	3300	3380	3440	3490
	Current (Amps)											14.7	15.2	15.7	16.1	16.4	16.6
	Flow Rate (lbs/hr)											349	392	437	484	534	586
	EER (Btu/Watt-hr)											7.2	7.8	8.5	9.3	10.1	11.1
150	Capacity (Btu/hr)													28000	31300	34900	38600
	Power (Watts)													3300	3380	3440	3490
	Current (Amps)													15.7	16.1	16.4	16.6
	Flow Rate (lbs/hr)													437	484	534	586
	EER (Btu/Watt-hr)													8.5	9.3	10.1	11.1

\* Specifications are subject to change without notice

Data Based on 380 volts

## MODEL XNH512HE

380/415 VOLTS, THREE PHASE, 50HZ, R-410A

### NOMINAL PERFORMANCE AT ASRE/T 380 VOLTS

Capacity (Btu/hr) .....	44,300
EER (Btu/W-hr).....	10.5
Power (W).....	4,220
Current (A).....	6.9

### RATING CONDITIONS AT ASRE/T

Condensing Temp. (Deg. F) .....	130
Evaporating Temp. (Deg. F) .....	45
Return Gas Temp. (Deg. F) .....	95
Liquid Temp. (Deg. F).....	115
Ambient Temp. (Deg. F) .....	95

### MOTOR

Operating Voltage Range.....	342-457
Locked Rotor Amps.....	70.0
Maximum Continuous Current.....	13.0
Rated Load Amps.....	8.3

### ELECTRICAL COMPONENTS

Motor Protector Type.....	Internal
Run Capacitor Type.....	N/A

### OIL

Oil Type.....	POE / Hatco FRL 32ST
Initial Charge (oz.) .....	53
Re-Charge (oz.) .....	44

### COMPRESSOR

Maximum Discharge Temp. (Deg. F) .....	280
Displacement (cu. in / rev).....	3.01
Weight (lbs.,Wet) .....	82.0
UL/CSA File #.....	SA11565

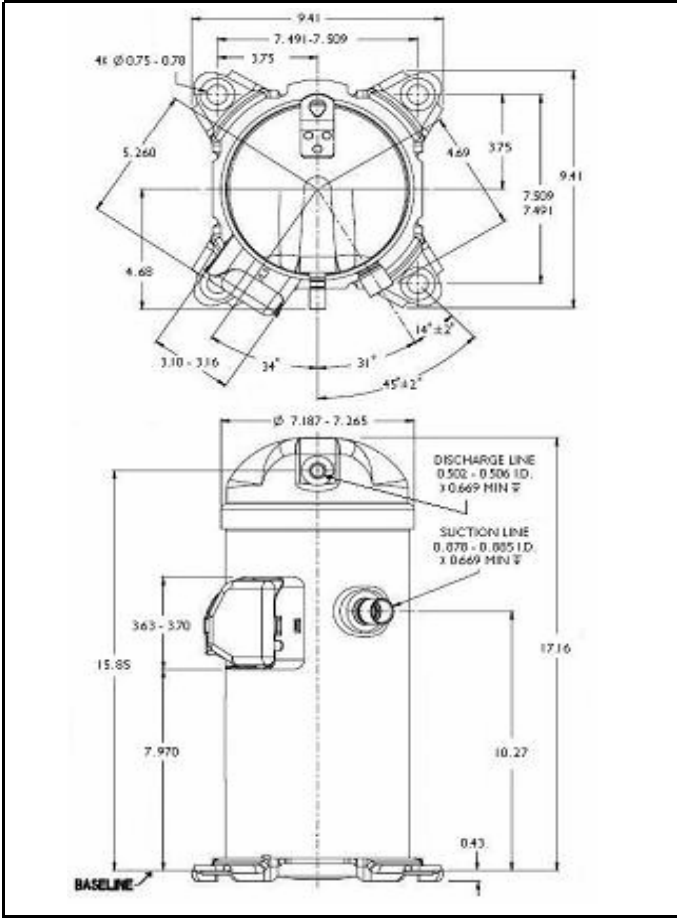
Specifications are subject to change without notice  
 Nominal performance value +/- 5%  
 Ratings generated with air over compressor

#### Carlyle Compressor Company

In the U.S.A. and Puerto Rico: 1-800-GO-CARLYLE (1-800-462-2759)  
 Canada: 1-800-258-1123  
 Mexico: 001-800-462-2759  
 Fax: 315-432-3274

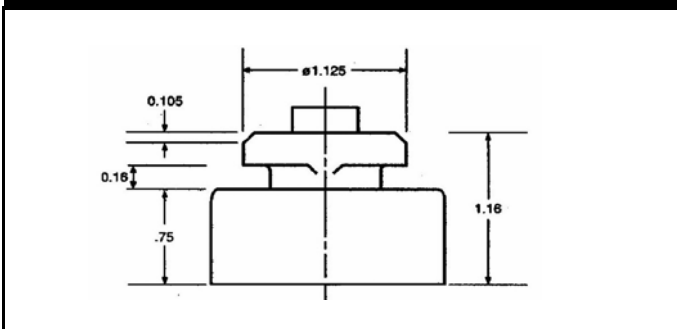
44300 Btu/hr

### XN MODEL OUTLINE DIMENSIONS



Dimensions given in Inches

### ISOLATOR MOUNTING DIAGRAM



**MODEL:** XNH512HE      **SUBCOOLING:** 15' F  
**VOLTAGE:** 380/415-3-50      **SUPERHEAT:** 20' F  
**REFRIGERANT:** R-410A      **RATING DATE:** Aug-06



Saturated Condensing		Saturated Evaporating Temperature (Degrees F)															
		-20	-15	-10	-5	0	5	10	15	20	25	30	35	40	45	50	55
80	Capacity (Btu/hr)	11700	14100	16900	20000	23300	26900	30700	34700	38900	43100	47400	51700	56000	60300	64500	68600
	Power (Watts)	2430	2450	2450	2450	2430	2400	2360	2320	2280	2230	2180	2130	2090	2060	2030	2010
	Current (Amps)	2.6	2.6	2.6	2.6	2.6	2.6	2.6	2.6	2.6	2.6	2.6	2.7	2.7	2.8	2.9	3.0
	Flow Rate (lbs/hr)	144	172	204	238	276	316	359	403	448	495	542	589	636	682	727	771
	EER (Btu/Watt-hr)	4.8	5.8	6.9	8.2	9.6	11.2	13.0	15.0	17.1	19.3	21.7	24.2	26.8	29.3	31.8	34.2
90	Capacity (Btu/hr)		12300	15000	18000	21200	24700	28500	32300	36400	40500	44700	48900	53100	57300	61400	65400
	Power (Watts)		2800	2800	2790	2770	2740	2710	2670	2620	2580	2530	2490	2450	2420	2390	2380
	Current (Amps)		3.1	3.1	3.2	3.2	3.2	3.2	3.2	3.2	3.2	3.2	3.2	3.3	3.3	3.4	3.4
	Flow Rate (lbs/hr)		156	189	225	263	305	348	393	439	486	533	581	628	674	720	763
	EER (Btu/Watt-hr)		4.4	5.3	6.4	7.7	9.0	10.5	12.1	13.9	15.7	17.7	19.7	21.7	23.7	25.6	27.5
100	Capacity (Btu/hr)			12900	15800	19000	22400	26100	29900	33800	37800	41900	46100	50200	54300	58300	62200
	Power (Watts)			3230	3210	3180	3150	3110	3060	3010	2960	2910	2870	2830	2800	2770	2760
	Current (Amps)			3.7	3.7	3.8	3.8	3.8	3.9	3.9	3.9	3.9	3.9	3.9	3.9	3.9	3.9
	Flow Rate (lbs/hr)			169	207	248	291	336	382	429	478	526	574	622	669	715	759
	EER (Btu/Watt-hr)			4.0	4.9	6.0	7.1	8.4	9.8	11.2	12.8	14.4	16.1	17.7	19.4	21.0	22.5
110	Capacity (Btu/hr)					16500	19900	23500	27200	31000	35000	39000	43100	47100	51100	55000	58900
	Power (Watts)					3680	3630	3580	3520	3460	3400	3350	3290	3250	3210	3180	3160
	Current (Amps)					4.5	4.6	4.6	4.7	4.7	4.7	4.7	4.7	4.6	4.6	4.6	4.6
	Flow Rate (lbs/hr)					226	272	319	367	416	466	516	566	616	664	711	756
	EER (Btu/Watt-hr)					4.5	5.5	6.6	7.7	9.0	10.3	11.7	13.1	14.5	15.9	17.3	18.6
120	Capacity (Btu/hr)							20500	24100	28000	31800	35800	39800	43800	47700	51600	55300
	Power (Watts)							4140	4070	3990	3920	3850	3790	3730	3680	3640	3610
	Current (Amps)							5.6	5.7	5.7	5.7	5.7	5.6	5.6	5.6	5.5	5.5
	Flow Rate (lbs/hr)							294	345	397	450	502	554	605	656	705	751
	EER (Btu/Watt-hr)							4.9	5.9	7.0	8.1	9.3	10.5	11.7	13.0	14.2	15.3
130	Capacity (Btu/hr)									24400	28200	32200	36100	40000	43900	47700	51400
	Power (Watts)									4630	4530	4450	4360	4280	4220	4160	4120
	Current (Amps)									6.9	6.9	6.9	6.9	6.8	6.8	6.7	6.6
	Flow Rate (lbs/hr)									369	424	480	535	589	642	693	742
	EER (Btu/Watt-hr)									5.3	6.2	7.2	8.3	9.3	10.4	11.5	12.5
140	Capacity (Btu/hr)											22100	25000	28000	31300	34900	38600
	Power (Watts)											3090	3200	3300	3380	3440	3490
	Current (Amps)											14.7	15.2	15.7	16.1	16.4	16.6
	Flow Rate (lbs/hr)											349	392	437	484	534	586
	EER (Btu/Watt-hr)											7.2	7.8	8.5	9.3	10.1	11.1
150	Capacity (Btu/hr)													28000	31300	34900	38600
	Power (Watts)													3300	3380	3440	3490
	Current (Amps)													15.7	16.1	16.4	16.6
	Flow Rate (lbs/hr)													437	484	534	586
	EER (Btu/Watt-hr)													8.5	9.3	10.1	11.1

\* Specifications are subject to change without notice

Data Based on 380 volts

**MODEL XNH512HU**

**380/415 VOLTS, THREE PHASE, 50HZ, R-410A**

**NOMINAL PERFORMANCE AT ASRE/T 380 VOLTS**

Capacity (Btu/hr) .....	44,300
EER (Btu/W-hr).....	10.5
Power (W).....	4,220
Current (A).....	6.9

**RATING CONDITIONS AT ASRE/T**

Condensing Temp. (Deg. F) .....	130
Evaporating Temp. (Deg. F) .....	45
Return Gas Temp. (Deg. F) .....	95
Liquid Temp. (Deg. F).....	115
Ambient Temp. (Deg. F) .....	95

**MOTOR**

Operating Voltage Range.....	342-457
Locked Rotor Amps.....	70.0
Maximum Continuous Current.....	13.0
Rated Load Amps.....	8.3

**ELECTRICAL COMPONENTS**

Motor Protector Type.....	Internal
Run Capacitor Type.....	N/A

**OIL**

Oil Type.....	POE / Hatco FRL 32ST
Initial Charge (oz.) .....	53
Re-Charge (oz.) .....	44

**COMPRESSOR**

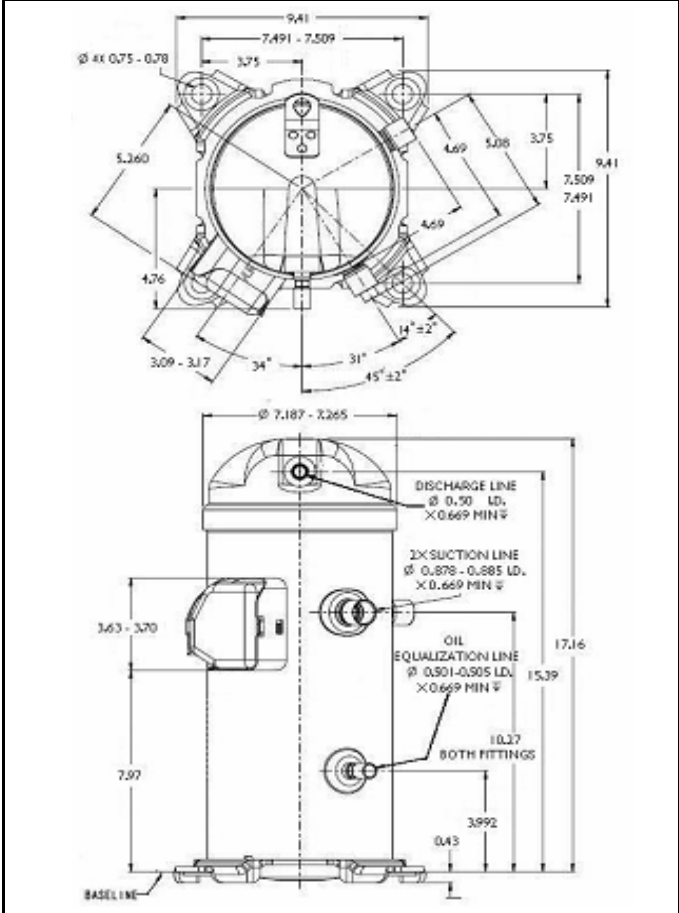
Maximum Discharge Temp. (Deg. F) .....	280
Displacement (cu. in / rev).....	3.01
Weight (lbs.,Wet) .....	82.0
UL/CSA File #.....	SA11565

Specifications are subject to change without notice  
 Nominal performance value +/- 5%  
 Ratings generated with air over compressor

**Carlyle Compressor Company**

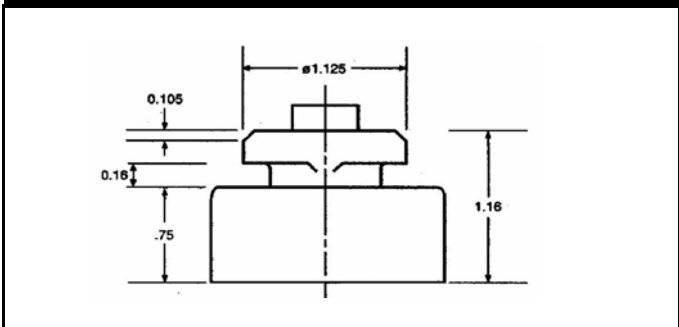
In the U.S.A. and Puerto Rico: 1-800-GO-CARLYLE (1-800-462-2759)  
 Canada: 1-800-258-1123  
 Mexico: 001-800-462-2759  
 Fax: 315-432-3274

**XN MODEL OUTLINE DIMENSIONS**



Dimensions given in Inches

**ISOLATOR MOUNTING DIAGRAM**



**44300 Btu/hr**

**MODEL:** XNH512HU      **SUBCOOLING:** 15' F  
**VOLTAGE:** 380/415-3-50      **SUPERHEAT:** 20' F  
**REFRIGERANT:** R-410A      **RATING DATE:** Aug-06



Saturated Condensing		Saturated Evaporating Temperature (Degrees F)															
		-20	-15	-10	-5	0	5	10	15	20	25	30	35	40	45	50	55
80	Capacity (Btu/hr)	11700	14100	16900	20000	23300	26900	30700	34700	38900	43100	47400	51700	56000	60300	64500	68600
	Power (Watts)	2430	2450	2450	2450	2430	2400	2360	2320	2280	2230	2180	2130	2090	2060	2030	2010
	Current (Amps)	2.6	2.6	2.6	2.6	2.6	2.6	2.6	2.6	2.6	2.6	2.6	2.7	2.7	2.8	2.9	3.0
	Flow Rate (lbs/hr)	144	172	204	238	276	316	359	403	448	495	542	589	636	682	727	771
	EER (Btu/Watt-hr)	4.8	5.8	6.9	8.2	9.6	11.2	13.0	15.0	17.1	19.3	21.7	24.2	26.8	29.3	31.8	34.2
90	Capacity (Btu/hr)		12300	15000	18000	21200	24700	28500	32300	36400	40500	44700	48900	53100	57300	61400	65400
	Power (Watts)		2800	2800	2790	2770	2740	2710	2670	2620	2580	2530	2490	2450	2420	2390	2380
	Current (Amps)		3.1	3.1	3.2	3.2	3.2	3.2	3.2	3.2	3.2	3.2	3.2	3.3	3.3	3.4	3.4
	Flow Rate (lbs/hr)		156	189	225	263	305	348	393	439	486	533	581	628	674	720	763
	EER (Btu/Watt-hr)		4.4	5.3	6.4	7.7	9.0	10.5	12.1	13.9	15.7	17.7	19.7	21.7	23.7	25.6	27.5
100	Capacity (Btu/hr)			12900	15800	19000	22400	26100	29900	33800	37800	41900	46100	50200	54300	58300	62200
	Power (Watts)			3230	3210	3180	3150	3110	3060	3010	2960	2910	2870	2830	2800	2770	2760
	Current (Amps)			3.7	3.7	3.8	3.8	3.8	3.9	3.9	3.9	3.9	3.9	3.9	3.9	3.9	3.9
	Flow Rate (lbs/hr)			169	207	248	291	336	382	429	478	526	574	622	669	715	759
	EER (Btu/Watt-hr)			4.0	4.9	6.0	7.1	8.4	9.8	11.2	12.8	14.4	16.1	17.7	19.4	21.0	22.5
110	Capacity (Btu/hr)				16500	19900	23500	27200	31000	35000	39000	43100	47100	51100	55000	58900	
	Power (Watts)				3680	3630	3580	3520	3460	3400	3350	3290	3250	3210	3180	3160	
	Current (Amps)				4.5	4.6	4.6	4.7	4.7	4.7	4.7	4.7	4.6	4.6	4.6	4.6	
	Flow Rate (lbs/hr)				226	272	319	367	416	466	516	566	616	664	711	756	
	EER (Btu/Watt-hr)				4.5	5.5	6.6	7.7	9.0	10.3	11.7	13.1	14.5	15.9	17.3	18.6	
120	Capacity (Btu/hr)						20500	24100	28000	31800	35800	39800	43800	47700	51600	55300	
	Power (Watts)						4140	4070	3990	3920	3850	3790	3730	3680	3640	3610	
	Current (Amps)						5.6	5.7	5.7	5.7	5.7	5.6	5.6	5.6	5.5	5.5	
	Flow Rate (lbs/hr)						294	345	397	450	502	554	605	656	705	751	
	EER (Btu/Watt-hr)						4.9	5.9	7.0	8.1	9.3	10.5	11.7	13.0	14.2	15.3	
130	Capacity (Btu/hr)								24400	28200	32200	36100	40000	43900	47700	51400	
	Power (Watts)								4630	4530	4450	4360	4280	4220	4160	4120	
	Current (Amps)								6.9	6.9	6.9	6.9	6.8	6.8	6.7	6.6	
	Flow Rate (lbs/hr)								369	424	480	535	589	642	693	742	
	EER (Btu/Watt-hr)								5.3	6.2	7.2	8.3	9.3	10.4	11.5	12.5	
140	Capacity (Btu/hr)											22100	25000	28000	31300	34900	38600
	Power (Watts)											3090	3200	3300	3380	3440	3490
	Current (Amps)											14.7	15.2	15.7	16.1	16.4	16.6
	Flow Rate (lbs/hr)											349	392	437	484	534	586
	EER (Btu/Watt-hr)											7.2	7.8	8.5	9.3	10.1	11.1
150	Capacity (Btu/hr)													28000	31300	34900	38600
	Power (Watts)													3300	3380	3440	3490
	Current (Amps)													15.7	16.1	16.4	16.6
	Flow Rate (lbs/hr)													437	484	534	586
	EER (Btu/Watt-hr)													8.5	9.3	10.1	11.1

\* Specifications are subject to change without notice

Data Based on 380 volts

## MODEL XNH542HA

380/415 VOLTS, THREE PHASE, 50HZ, R-410A

### NOMINAL PERFORMANCE AT ASRE/T 380 VOLTS

Capacity (Btu/hr) .....	46,000
EER (Btu/W-hr).....	10.4
Power (W).....	4,420
Current (A).....	8.6

### RATING CONDITIONS AT ASRE/T

Condensing Temp. (Deg. F) .....	130
Evaporating Temp. (Deg. F) .....	45
Return Gas Temp. (Deg. F) .....	95
Liquid Temp. (Deg. F).....	115
Ambient Temp. (Deg. F) .....	95

### MOTOR

Operating Voltage Range.....	342-457
Locked Rotor Amps.....	70.0
Maximum Continuous Current.....	13.0
Rated Load Amps.....	8.3

### ELECTRICAL COMPONENTS

Motor Protector Type.....	Internal
Run Capacitor Type.....	N/A

### OIL

Oil Type.....	POE / Hatco FRL 32ST
Initial Charge (oz.) .....	53
Re-Charge (oz.) .....	44

### COMPRESSOR

Maximum Discharge Temp. (Deg. F) .....	280
Displacement (cu. in / rev).....	3.18
Weight (lbs.,Wet) .....	82.0
UL/CSA File #.....	SA11565

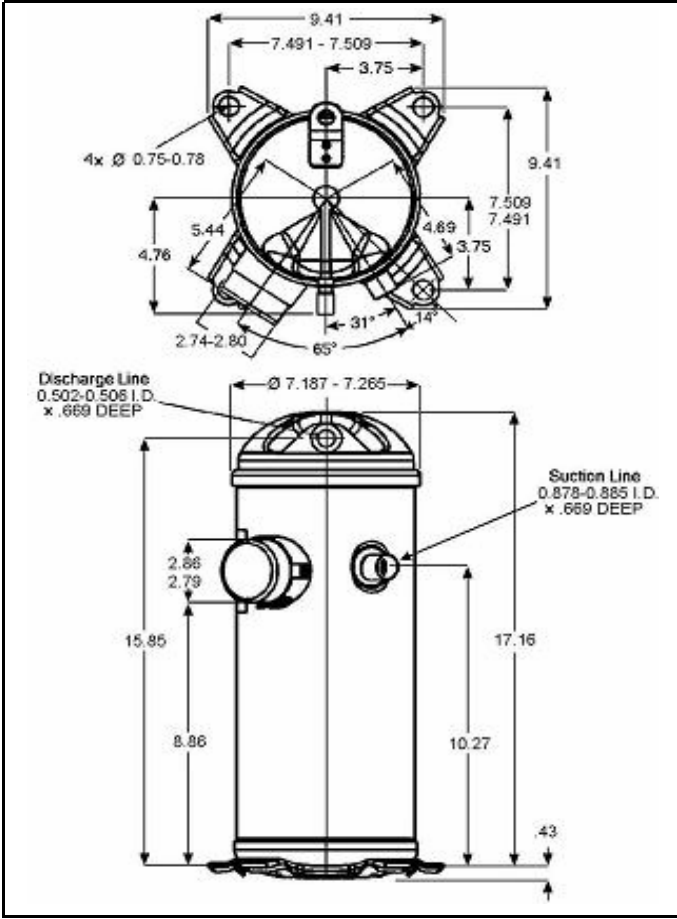
Specifications are subject to change without notice  
 Nominal performance value +/- 5%  
 Ratings generated with air over compressor

### Carlyle Compressor Company

In the U.S.A. and Puerto Rico: 1-800-GO-CARLYLE (1-800-462-2759)  
 Canada: 1-800-258-1123  
 Mexico: 001-800-462-2759  
 Fax: 315-432-3274

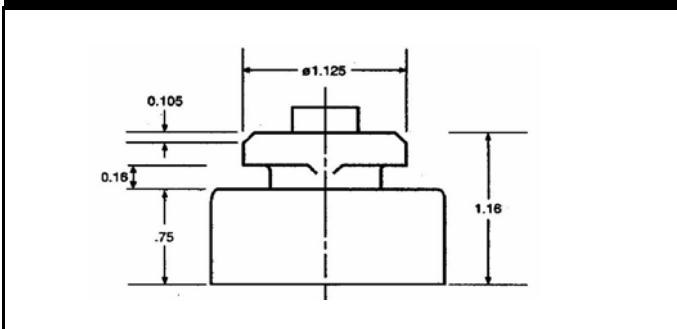
46000 Btu/hr

### XN MODEL OUTLINE DIMENSIONS



Dimensions given in Inches

### ISOLATOR MOUNTING DIAGRAM



**MODEL:** XNH542HA      **SUBCOOLING:** 15' F  
**VOLTAGE:** 380/415-3-50      **SUPERHEAT:** 20' F  
**REFRIGERANT:** R-410A      **RATING DATE:** Aug-06



Saturated Condensing		Saturated Evaporating Temperature (Degrees F)															
		-20	-15	-10	-5	0	5	10	15	20	25	30	35	40	45	50	55
80	Capacity (Btu/hr)	12200	14800	17700	20900	24400	28200	32200	36400	40700	45100	49600	54200	58700	63200	67600	72000
	Power (Watts)	2630	2650	2660	2650	2630	2600	2560	2510	2460	2410	2360	2310	2270	2230	2200	2180
	Current (Amps)	3.3	3.3	3.3	3.3	3.3	3.3	3.3	3.3	3.3	3.3	3.3	3.4	3.4	3.5	3.6	3.8
	Flow Rate (lbs/hr)	151	180	213	250	289	331	376	422	470	518	567	617	666	715	762	808
	EER (Btu/Watt-hr)	4.7	5.6	6.7	7.9	9.3	10.9	12.6	14.5	16.5	18.7	21.0	23.5	25.9	28.4	30.8	33.0
90	Capacity (Btu/hr)		12900	15700	18800	22200	25900	29800	33800	38000	42400	46700	51200	55600	60000	64300	68400
	Power (Watts)		3010	3020	3010	2990	2960	2920	2870	2820	2780	2730	2680	2640	2610	2580	2570
	Current (Amps)		3.9	3.9	4.0	4.0	4.0	4.0	4.0	4.0	4.1	4.1	4.1	4.1	4.2	4.2	4.3
	Flow Rate (lbs/hr)		163	197	235	276	319	364	411	459	508	558	608	657	706	753	799
	EER (Btu/Watt-hr)		4.3	5.2	6.2	7.4	8.8	10.2	11.8	13.5	15.3	17.1	19.1	21.0	23.0	24.9	26.6
100	Capacity (Btu/hr)			13500	16500	19900	23400	27200	31200	35300	39500	43800	48100	52400	56700	60900	64900
	Power (Watts)			3450	3440	3410	3370	3330	3280	3230	3170	3120	3070	3030	3000	2970	2960
	Current (Amps)			4.6	4.7	4.8	4.8	4.8	4.9	4.9	4.9	4.9	4.9	4.9	4.9	4.9	5.0
	Flow Rate (lbs/hr)			177	216	259	304	350	399	448	499	549	600	650	699	747	793
	EER (Btu/Watt-hr)			3.9	4.8	5.8	6.9	8.2	9.5	10.9	12.5	14.0	15.7	17.3	18.9	20.5	21.9
110	Capacity (Btu/hr)				17200	20700	24400	28300	32300	36500	40700	44900	49100	53300	57400	61300	
	Power (Watts)				3910	3860	3810	3750	3680	3620	3560	3510	3460	3420	3390	3370	
	Current (Amps)				5.7	5.8	5.8	5.9	5.9	5.9	5.9	5.9	5.8	5.8	5.8	5.8	
	Flow Rate (lbs/hr)				236	283	332	382	434	486	538	590	641	692	741	788	
	EER (Btu/Watt-hr)				4.4	5.4	6.4	7.6	8.8	10.1	11.4	12.8	14.2	15.6	16.9	18.2	
120	Capacity (Btu/hr)						21300	25100	29100	33100	37200	41400	45500	49600	53600	57500	
	Power (Watts)						4370	4290	4220	4140	4070	4000	3940	3880	3840	3810	
	Current (Amps)						7.1	7.1	7.1	7.1	7.1	7.1	7.1	7.0	6.9	6.9	
	Flow Rate (lbs/hr)						306	359	413	467	522	576	629	682	732	781	
	EER (Btu/Watt-hr)						4.9	5.8	6.9	8.0	9.2	10.3	11.6	12.8	14.0	15.1	
130	Capacity (Btu/hr)								25300	29300	33400	37400	41500	45500	49500	53300	
	Power (Watts)								4850	4750	4660	4570	4490	4420	4360	4310	
	Current (Amps)								8.7	8.7	8.7	8.7	8.6	8.5	8.4	8.3	
	Flow Rate (lbs/hr)								383	440	498	555	611	665	719	770	
	EER (Btu/Watt-hr)								5.2	6.2	7.2	8.2	9.3	10.3	11.4	12.4	
140	Capacity (Btu/hr)										22100	25000	28000	31300	34900	38600	
	Power (Watts)										3090	3200	3300	3380	3440	3490	
	Current (Amps)										14.7	15.2	15.7	16.1	16.4	16.6	
	Flow Rate (lbs/hr)										349	392	437	484	534	586	
	EER (Btu/Watt-hr)										7.2	7.8	8.5	9.3	10.1	11.1	
150	Capacity (Btu/hr)												28000	31300	34900	38600	
	Power (Watts)												3300	3380	3440	3490	
	Current (Amps)												15.7	16.1	16.4	16.6	
	Flow Rate (lbs/hr)												437	484	534	586	
	EER (Btu/Watt-hr)												8.5	9.3	10.1	11.1	

\* Specifications are subject to change without notice

Data Based on 380 volts

## MODEL XNH542HE

380/415 VOLTS, THREE PHASE, 50HZ, R-410A

### NOMINAL PERFORMANCE AT ASRE/T 380 VOLTS

Capacity (Btu/hr) .....	46,000
EER (Btu/W-hr).....	10.4
Power (W).....	4,420
Current (A).....	8.6

### RATING CONDITIONS AT ASRE/T

Condensing Temp. (Deg. F) .....	130
Evaporating Temp. (Deg. F) .....	45
Return Gas Temp. (Deg. F) .....	95
Liquid Temp. (Deg. F).....	115
Ambient Temp. (Deg. F) .....	95

### MOTOR

Operating Voltage Range.....	342-457
Locked Rotor Amps.....	70.0
Maximum Continuous Current.....	13.0
Rated Load Amps.....	8.3

### ELECTRICAL COMPONENTS

Motor Protector Type.....	Internal
Run Capacitor Type.....	N/A

### OIL

Oil Type.....	POE / Hatco FRL 32ST
Initial Charge (oz.) .....	53
Re-Charge (oz.) .....	44

### COMPRESSOR

Maximum Discharge Temp. (Deg. F) .....	280
Displacement (cu. in / rev).....	3.18
Weight (lbs.,Wet) .....	82.0
UL/CSA File #.....	SA11565

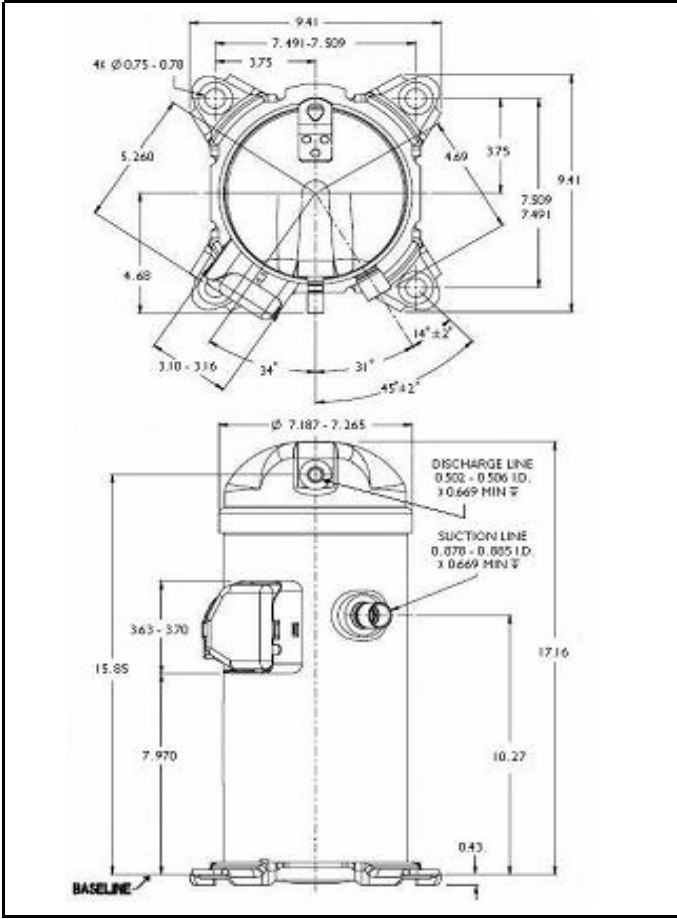
Specifications are subject to change without notice  
 Nominal performance value +/- 5%  
 Ratings generated with air over compressor

#### Carlyle Compressor Company

In the U.S.A. and Puerto Rico: 1-800-GO-CARLYLE (1-800-462-2759)  
 Canada: 1-800-258-1123  
 Mexico: 001-800-462-2759  
 Fax: 315-432-3274

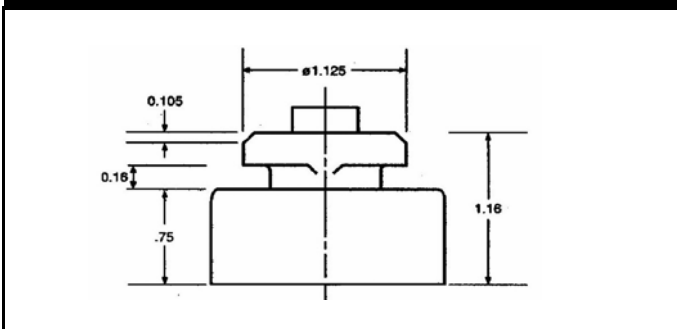
46000 Btu/hr

### XN MODEL OUTLINE DIMENSIONS



Dimensions given in Inches

### ISOLATOR MOUNTING DIAGRAM



**MODEL:** XNH542HE      **SUBCOOLING:** 15' F  
**VOLTAGE:** 380/415-3-50      **SUPERHEAT:** 20' F  
**REFRIGERANT:** R-410A      **RATING DATE:** Aug-06



Saturated Condensing		Saturated Evaporating Temperature (Degrees F)															
		-20	-15	-10	-5	0	5	10	15	20	25	30	35	40	45	50	55
80	Capacity (Btu/hr)	12200	14800	17700	20900	24400	28200	32200	36400	40700	45100	49600	54200	58700	63200	67600	72000
	Power (Watts)	2630	2650	2660	2650	2630	2600	2560	2510	2460	2410	2360	2310	2270	2230	2200	2180
	Current (Amps)	3.3	3.3	3.3	3.3	3.3	3.3	3.3	3.3	3.3	3.3	3.3	3.4	3.4	3.5	3.6	3.8
	Flow Rate (lbs/hr)	151	180	213	250	289	331	376	422	470	518	567	617	666	715	762	808
	EER (Btu/Watt-hr)	4.7	5.6	6.7	7.9	9.3	10.9	12.6	14.5	16.5	18.7	21.0	23.5	25.9	28.4	30.8	33.0
90	Capacity (Btu/hr)		12900	15700	18800	22200	25900	29800	33800	38000	42400	46700	51200	55600	60000	64300	68400
	Power (Watts)		3010	3020	3010	2990	2960	2920	2870	2820	2780	2730	2680	2640	2610	2580	2570
	Current (Amps)		3.9	3.9	4.0	4.0	4.0	4.0	4.0	4.0	4.1	4.1	4.1	4.1	4.2	4.2	4.3
	Flow Rate (lbs/hr)		163	197	235	276	319	364	411	459	508	558	608	657	706	753	799
	EER (Btu/Watt-hr)		4.3	5.2	6.2	7.4	8.8	10.2	11.8	13.5	15.3	17.1	19.1	21.0	23.0	24.9	26.6
100	Capacity (Btu/hr)			13500	16500	19900	23400	27200	31200	35300	39500	43800	48100	52400	56700	60900	64900
	Power (Watts)			3450	3440	3410	3370	3330	3280	3230	3170	3120	3070	3030	3000	2970	2960
	Current (Amps)			4.6	4.7	4.8	4.8	4.8	4.9	4.9	4.9	4.9	4.9	4.9	4.9	4.9	5.0
	Flow Rate (lbs/hr)			177	216	259	304	350	399	448	499	549	600	650	699	747	793
	EER (Btu/Watt-hr)			3.9	4.8	5.8	6.9	8.2	9.5	10.9	12.5	14.0	15.7	17.3	18.9	20.5	21.9
110	Capacity (Btu/hr)				17200	20700	24400	28300	32300	36500	40700	44900	49100	53300	57400	61300	
	Power (Watts)				3910	3860	3810	3750	3680	3620	3560	3510	3460	3420	3390	3370	
	Current (Amps)				5.7	5.8	5.8	5.9	5.9	5.9	5.9	5.9	5.8	5.8	5.8	5.8	
	Flow Rate (lbs/hr)				236	283	332	382	434	486	538	590	641	692	741	788	
	EER (Btu/Watt-hr)				4.4	5.4	6.4	7.6	8.8	10.1	11.4	12.8	14.2	15.6	16.9	18.2	
120	Capacity (Btu/hr)					21300	25100	29100	33100	37200	41400	45500	49600	53600	57500		
	Power (Watts)					4370	4290	4220	4140	4070	4000	3940	3880	3840	3810		
	Current (Amps)					7.1	7.1	7.1	7.1	7.1	7.1	7.1	7.0	6.9	6.9		
	Flow Rate (lbs/hr)					306	359	413	467	522	576	629	682	732	781		
	EER (Btu/Watt-hr)					4.9	5.8	6.9	8.0	9.2	10.3	11.6	12.8	14.0	15.1		
130	Capacity (Btu/hr)						25300	29300	33400	37400	41500	45500	49500	53300			
	Power (Watts)						4850	4750	4660	4570	4490	4420	4360	4310			
	Current (Amps)						8.7	8.7	8.7	8.7	8.6	8.5	8.4	8.3			
	Flow Rate (lbs/hr)						383	440	498	555	611	665	719	770			
	EER (Btu/Watt-hr)						5.2	6.2	7.2	8.2	9.3	10.3	11.4	12.4			
140	Capacity (Btu/hr)									22100	25000	28000	31300	34900	38600		
	Power (Watts)									3090	3200	3300	3380	3440	3490		
	Current (Amps)									14.7	15.2	15.7	16.1	16.4	16.6		
	Flow Rate (lbs/hr)									349	392	437	484	534	586		
	EER (Btu/Watt-hr)									7.2	7.8	8.5	9.3	10.1	11.1		
150	Capacity (Btu/hr)											28000	31300	34900	38600		
	Power (Watts)											3300	3380	3440	3490		
	Current (Amps)											15.7	16.1	16.4	16.6		
	Flow Rate (lbs/hr)											437	484	534	586		
	EER (Btu/Watt-hr)											8.5	9.3	10.1	11.1		

\* Specifications are subject to change without notice

Data Based on 380 volts

## MODEL XNH542HU

380/415 VOLTS, THREE PHASE, 50HZ, R-410A

### NOMINAL PERFORMANCE AT ASRE/T 380 VOLTS

Capacity (Btu/hr) .....	46,000
EER (Btu/W-hr).....	10.4
Power (W).....	4,420
Current (A).....	8.6

### RATING CONDITIONS AT ASRE/T

Condensing Temp. (Deg. F) .....	130
Evaporating Temp. (Deg. F) .....	45
Return Gas Temp. (Deg. F) .....	95
Liquid Temp. (Deg. F).....	115
Ambient Temp. (Deg. F) .....	95

### MOTOR

Operating Voltage Range.....	342-457
Locked Rotor Amps.....	70.0
Maximum Continuous Current.....	13.0
Rated Load Amps.....	8.3

### ELECTRICAL COMPONENTS

Motor Protector Type.....	Internal
Run Capacitor Type.....	N/A

### OIL

Oil Type.....	POE / Hatco FRL 32ST
Initial Charge (oz.) .....	53
Re-Charge (oz.) .....	44

### COMPRESSOR

Maximum Discharge Temp. (Deg. F) .....	280
Displacement (cu. in / rev).....	3.18
Weight (lbs.,Wet) .....	82.0
UL/CSA File # .....	SA11565

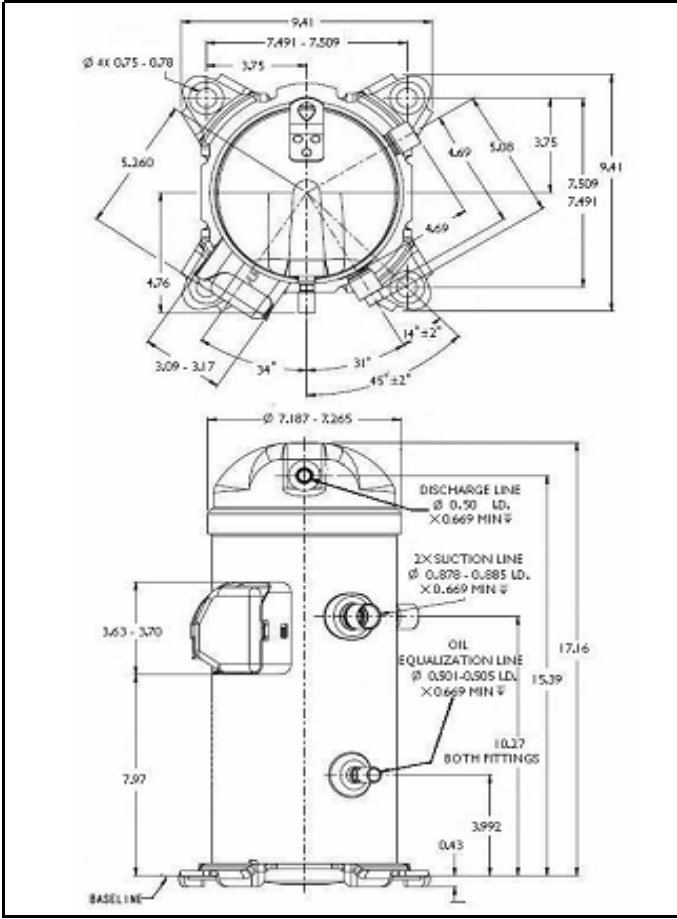
Specifications are subject to change without notice  
 Nominal performance value +/- 5%  
 Ratings generated with air over compressor

### Carlyle Compressor Company

In the U.S.A. and Puerto Rico: 1-800-GO-CARLYLE (1-800-462-2759)  
 Canada: 1-800-258-1123  
 Mexico: 001-800-462-2759  
 Fax: 315-432-3274

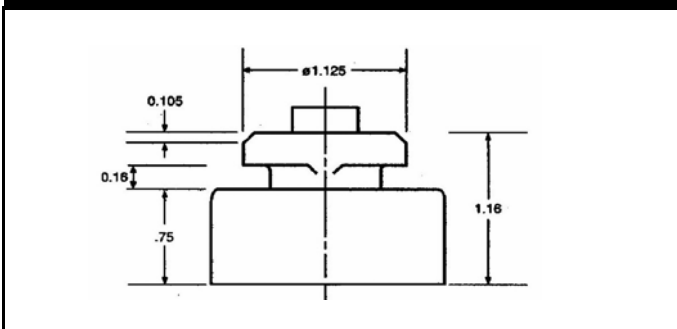
46000 Btu/hr

### XN MODEL OUTLINE DIMENSIONS



Dimensions given in Inches

### ISOLATOR MOUNTING DIAGRAM



**MODEL:** XNH542HU      **SUBCOOLING:** 15' F  
**VOLTAGE:** 380/415-3-50      **SUPERHEAT:** 20' F  
**REFRIGERANT:** R-410A      **RATING DATE:** Aug-06



Saturated Condensing		Saturated Evaporating Temperature (Degrees F)															
		-20	-15	-10	-5	0	5	10	15	20	25	30	35	40	45	50	55
80	Capacity (Btu/hr)	12200	14800	17700	20900	24400	28200	32200	36400	40700	45100	49600	54200	58700	63200	67600	72000
	Power (Watts)	2630	2650	2660	2650	2630	2600	2560	2510	2460	2410	2360	2310	2270	2230	2200	2180
	Current (Amps)	3.3	3.3	3.3	3.3	3.3	3.3	3.3	3.3	3.3	3.3	3.3	3.4	3.4	3.5	3.6	3.8
	Flow Rate (lbs/hr)	151	180	213	250	289	331	376	422	470	518	567	617	666	715	762	808
	EER (Btu/Watt-hr)	4.7	5.6	6.7	7.9	9.3	10.9	12.6	14.5	16.5	18.7	21.0	23.5	25.9	28.4	30.8	33.0
90	Capacity (Btu/hr)		12900	15700	18800	22200	25900	29800	33800	38000	42400	46700	51200	55600	60000	64300	68400
	Power (Watts)		3010	3020	3010	2990	2960	2920	2870	2820	2780	2730	2680	2640	2610	2580	2570
	Current (Amps)		3.9	3.9	4.0	4.0	4.0	4.0	4.0	4.0	4.0	4.1	4.1	4.1	4.2	4.2	4.3
	Flow Rate (lbs/hr)		163	197	235	276	319	364	411	459	508	558	608	657	706	753	799
	EER (Btu/Watt-hr)		4.3	5.2	6.2	7.4	8.8	10.2	11.8	13.5	15.3	17.1	19.1	21.0	23.0	24.9	26.6
100	Capacity (Btu/hr)			13500	16500	19900	23400	27200	31200	35300	39500	43800	48100	52400	56700	60900	64900
	Power (Watts)			3450	3440	3410	3370	3330	3280	3230	3170	3120	3070	3030	3000	2970	2960
	Current (Amps)			4.6	4.7	4.8	4.8	4.8	4.9	4.9	4.9	4.9	4.9	4.9	4.9	4.9	5.0
	Flow Rate (lbs/hr)			177	216	259	304	350	399	448	499	549	600	650	699	747	793
	EER (Btu/Watt-hr)			3.9	4.8	5.8	6.9	8.2	9.5	10.9	12.5	14.0	15.7	17.3	18.9	20.5	21.9
110	Capacity (Btu/hr)					17200	20700	24400	28300	32300	36500	40700	44900	49100	53300	57400	61300
	Power (Watts)					3910	3860	3810	3750	3680	3620	3560	3510	3460	3420	3390	3370
	Current (Amps)					5.7	5.8	5.8	5.9	5.9	5.9	5.9	5.9	5.8	5.8	5.8	5.8
	Flow Rate (lbs/hr)					236	283	332	382	434	486	538	590	641	692	741	788
	EER (Btu/Watt-hr)					4.4	5.4	6.4	7.6	8.8	10.1	11.4	12.8	14.2	15.6	16.9	18.2
120	Capacity (Btu/hr)							21300	25100	29100	33100	37200	41400	45500	49600	53600	57500
	Power (Watts)							4370	4290	4220	4140	4070	4000	3940	3880	3840	3810
	Current (Amps)							7.1	7.1	7.1	7.1	7.1	7.1	7.1	7.0	6.9	6.9
	Flow Rate (lbs/hr)							306	359	413	467	522	576	629	682	732	781
	EER (Btu/Watt-hr)							4.9	5.8	6.9	8.0	9.2	10.3	11.6	12.8	14.0	15.1
130	Capacity (Btu/hr)									25300	29300	33400	37400	41500	45500	49500	53300
	Power (Watts)									4850	4750	4660	4570	4490	4420	4360	4310
	Current (Amps)									8.7	8.7	8.7	8.7	8.6	8.5	8.4	8.3
	Flow Rate (lbs/hr)									383	440	498	555	611	665	719	770
	EER (Btu/Watt-hr)									5.2	6.2	7.2	8.2	9.3	10.3	11.4	12.4
140	Capacity (Btu/hr)											22100	25000	28000	31300	34900	38600
	Power (Watts)											3090	3200	3300	3380	3440	3490
	Current (Amps)											14.7	15.2	15.7	16.1	16.4	16.6
	Flow Rate (lbs/hr)											349	392	437	484	534	586
	EER (Btu/Watt-hr)											7.2	7.8	8.5	9.3	10.1	11.1
150	Capacity (Btu/hr)													28000	31300	34900	38600
	Power (Watts)													3300	3380	3440	3490
	Current (Amps)													15.7	16.1	16.4	16.6
	Flow Rate (lbs/hr)													437	484	534	586
	EER (Btu/Watt-hr)													8.5	9.3	10.1	11.1

\* Specifications are subject to change without notice

Data Based on 380 volts

## MODEL XNH562HA

380/415 VOLTS, THREE PHASE, 50HZ, R-410A

### NOMINAL PERFORMANCE AT ASRE/T 380 VOLTS

Capacity (Btu/hr) .....	47,700
EER (Btu/W-hr).....	10.4
Power (W).....	4,590
Current (A).....	8.6

### RATING CONDITIONS AT ASRE/T

Condensing Temp. (Deg. F) .....	130
Evaporating Temp. (Deg. F) .....	45
Return Gas Temp. (Deg. F) .....	95
Liquid Temp. (Deg. F).....	115
Ambient Temp. (Deg. F) .....	95

### MOTOR

Operating Voltage Range.....	342-457
Locked Rotor Amps.....	70.0
Maximum Continuous Current.....	14.0
Rated Load Amps.....	9.0

### ELECTRICAL COMPONENTS

Motor Protector Type.....	Internal
Run Capacitor Type.....	N/A

### OIL

Oil Type.....	POE / Hatco FRL 32ST
Initial Charge (oz.) .....	53
Re-Charge (oz.) .....	44

### COMPRESSOR

Maximum Discharge Temp. (Deg. F) .....	280
Displacement (cu. in / rev).....	3.30
Weight (lbs.,Wet) .....	82.0
UL/CSA File #.....	SA11565

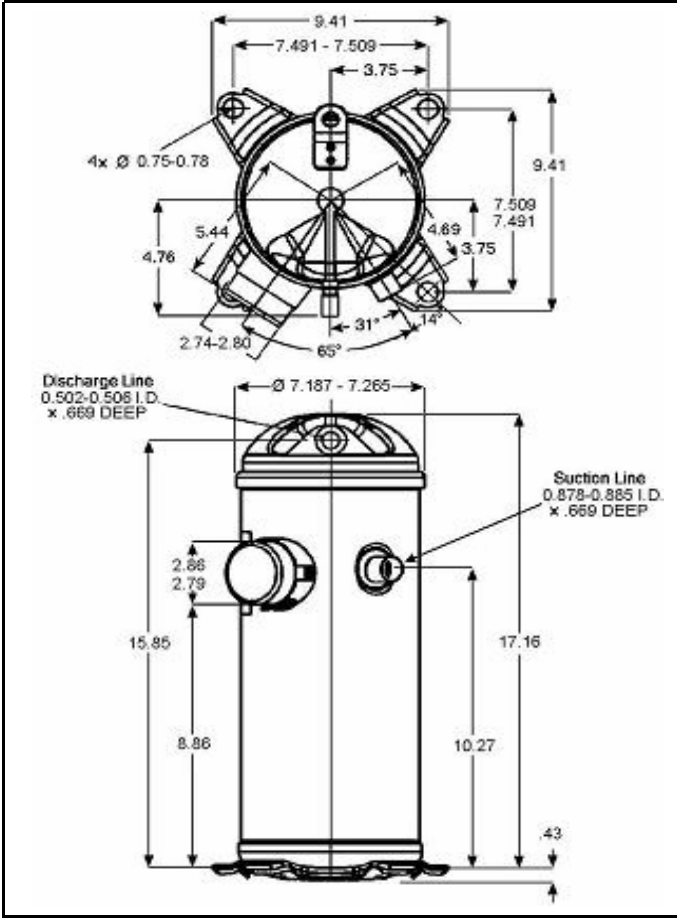
Specifications are subject to change without notice  
 Nominal performance value +/- 5%  
 Ratings generated with air over compressor

### Carlyle Compressor Company

In the U.S.A. and Puerto Rico: 1-800-GO-CARLYLE (1-800-462-2759)  
 Canada: 1-800-258-1123  
 Mexico: 001-800-462-2759  
 Fax: 315-432-3274

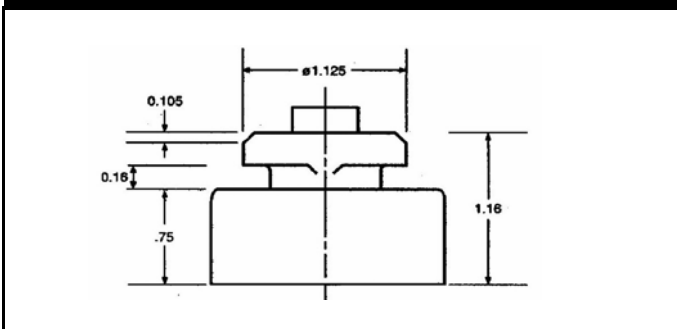
47700 Btu/hr

### XN MODEL OUTLINE DIMENSIONS



Dimensions given in Inches

### ISOLATOR MOUNTING DIAGRAM



**MODEL:** XNH562HA      **SUBCOOLING:** 15' F  
**VOLTAGE:** 380/415-3-50      **SUPERHEAT:** 20' F  
**REFRIGERANT:** R-410A      **RATING DATE:** Aug-06



Saturated Condensing		Saturated Evaporating Temperature (Degrees F)															
		-20	-15	-10	-5	0	5	10	15	20	25	30	35	40	45	50	55
80	Capacity (Btu/hr)	12600	15300	18300	21600	25300	29200	33300	37700	42100	46700	51400	56100	60800	65400	70000	74500
	Power (Watts)	2600	2630	2630	2630	2610	2580	2540	2490	2440	2390	2340	2290	2240	2200	2170	2150
	Current (Amps)	3.3	3.3	3.3	3.3	3.3	3.3	3.3	3.3	3.3	3.3	3.3	3.4	3.4	3.5	3.6	3.8
	Flow Rate (lbs/hr)	156	187	221	258	299	343	389	437	486	536	587	638	689	740	789	836
	EER (Btu/Watt-hr)	4.9	5.8	6.9	8.2	9.7	11.3	13.1	15.1	17.2	19.5	22.0	24.5	27.1	29.7	32.2	34.7
90	Capacity (Btu/hr)		13300	16200	19500	23000	26800	30800	35000	39400	43900	48400	53000	57500	62100	66500	70900
	Power (Watts)		3010	3010	3000	2980	2950	2910	2870	2820	2770	2720	2670	2630	2600	2570	2560
	Current (Amps)		3.9	3.9	4.0	4.0	4.0	4.0	4.0	4.0	4.0	4.1	4.1	4.1	4.2	4.2	4.3
	Flow Rate (lbs/hr)		169	204	243	285	330	377	426	476	526	578	629	680	730	779	827
	EER (Btu/Watt-hr)		4.4	5.4	6.5	7.7	9.1	10.6	12.2	14.0	15.8	17.8	19.8	21.9	23.9	25.9	27.7
100	Capacity (Btu/hr)			14000	17100	20600	24300	28200	32300	36600	40900	45400	49800	54300	58700	63000	67300
	Power (Watts)			3480	3460	3430	3390	3340	3290	3240	3190	3140	3090	3050	3010	2990	2970
	Current (Amps)			4.6	4.7	4.8	4.8	4.8	4.9	4.9	4.9	4.9	4.9	4.9	4.9	4.9	5.0
	Flow Rate (lbs/hr)			183	224	268	314	363	413	464	516	569	621	673	724	773	821
	EER (Btu/Watt-hr)			4.0	4.9	6.0	7.2	8.4	9.8	11.3	12.8	14.5	16.1	17.8	19.5	21.1	22.6
110	Capacity (Btu/hr)				17900	21500	25300	29300	33500	37800	42100	46500	50900	55200	59400	63500	
	Power (Watts)				3970	3920	3860	3800	3740	3680	3620	3560	3510	3470	3440	3420	
	Current (Amps)				5.7	5.8	5.8	5.9	5.9	5.9	5.9	5.9	5.9	5.8	5.8	5.8	5.8
	Flow Rate (lbs/hr)				244	293	344	396	449	503	557	611	665	717	768	816	
	EER (Btu/Watt-hr)				4.5	5.5	6.6	7.7	9.0	10.3	11.7	13.1	14.5	15.9	17.3	18.6	
120	Capacity (Btu/hr)						22100	26000	30100	34300	38600	42900	47200	51400	55600	59600	
	Power (Watts)						4490	4410	4330	4250	4170	4100	4040	3980	3940	3910	
	Current (Amps)						7.1	7.1	7.1	7.1	7.1	7.1	7.1	7.0	6.9	6.9	
	Flow Rate (lbs/hr)						317	372	428	484	541	597	652	707	759	810	
	EER (Btu/Watt-hr)						4.9	5.9	7.0	8.1	9.2	10.5	11.7	12.9	14.1	15.2	
130	Capacity (Btu/hr)								26200	30400	34600	38800	43000	47200	51300	55300	
	Power (Watts)								5030	4930	4830	4740	4660	4580	4520	4480	
	Current (Amps)								8.7	8.7	8.7	8.7	8.6	8.5	8.4	8.3	
	Flow Rate (lbs/hr)								397	457	516	575	633	690	745	798	
	EER (Btu/Watt-hr)								5.2	6.2	7.2	8.2	9.2	10.3	11.3	12.3	
140	Capacity (Btu/hr)										22100	25000	28000	31300	34900	38600	
	Power (Watts)										3090	3200	3300	3380	3440	3490	
	Current (Amps)										14.7	15.2	15.7	16.1	16.4	16.6	
	Flow Rate (lbs/hr)										349	392	437	484	534	586	
	EER (Btu/Watt-hr)										7.2	7.8	8.5	9.3	10.1	11.1	
150	Capacity (Btu/hr)												28000	31300	34900	38600	
	Power (Watts)												3300	3380	3440	3490	
	Current (Amps)												15.7	16.1	16.4	16.6	
	Flow Rate (lbs/hr)												437	484	534	586	
	EER (Btu/Watt-hr)												8.5	9.3	10.1	11.1	

\* Specifications are subject to change without notice

Data Based on 380 volts

**MODEL XNH562HE**

**380/415 VOLTS, THREE PHASE, 50HZ, R-410A**

**47700 Btu/hr**

**NOMINAL PERFORMANCE AT ASRE/T 380 VOLTS**

Capacity (Btu/hr) .....	47,700
EER (Btu/W-hr).....	10.4
Power (W).....	4,590
Current (A).....	8.6

**RATING CONDITIONS AT ASRE/T**

Condensing Temp. (Deg. F) .....	130
Evaporating Temp. (Deg. F) .....	45
Return Gas Temp. (Deg. F) .....	95
Liquid Temp. (Deg. F).....	115
Ambient Temp. (Deg. F) .....	95

**MOTOR**

Operating Voltage Range.....	342-457
Locked Rotor Amps.....	70.0
Maximum Continuous Current.....	14.0
Rated Load Amps.....	9.0

**ELECTRICAL COMPONENTS**

Motor Protector Type.....	Internal
Run Capacitor Type.....	N/A

**OIL**

Oil Type.....	POE / Hatco FRL 32ST
Initial Charge (oz.) .....	53
Re-Charge (oz.) .....	44

**COMPRESSOR**

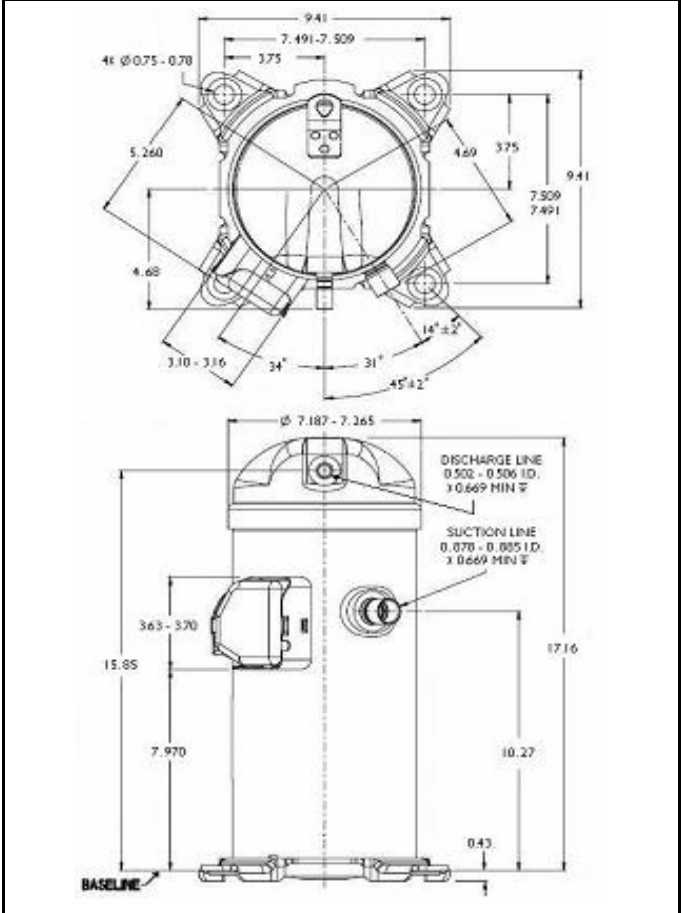
Maximum Discharge Temp. (Deg. F) .....	280
Displacement (cu. in / rev).....	3.30
Weight (lbs.,Wet) .....	82.0
UL/CSA File #.....	SA11565

Specifications are subject to change without notice  
 Nominal performance value +/- 5%  
 Ratings generated with air over compressor

**Carlyle Compressor Company**

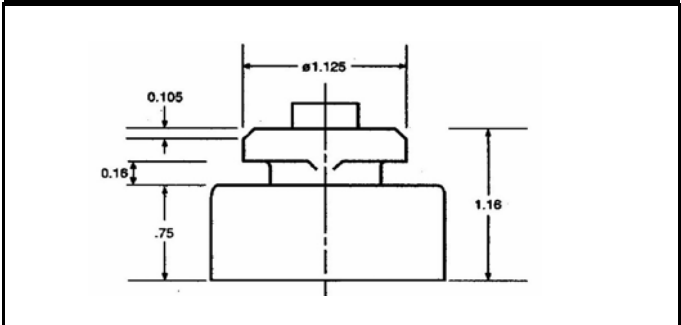
In the U.S.A. and Puerto Rico: 1-800-GO-CARLYLE (1-800-462-2759)  
 Canada: 1-800-258-1123  
 Mexico: 001-800-462-2759  
 Fax: 315-432-3274

**XN MODEL OUTLINE DIMENSIONS**



Dimensions given in Inches

**ISOLATOR MOUNTING DIAGRAM**



**MODEL:** XNH562HE      **SUBCOOLING:** 15' F  
**VOLTAGE:** 380/415-3-50      **SUPERHEAT:** 20' F  
**REFRIGERANT:** R-410A      **RATING DATE:** Aug-06



Saturated Condensing		Saturated Evaporating Temperature (Degrees F)															
		-20	-15	-10	-5	0	5	10	15	20	25	30	35	40	45	50	55
80	Capacity (Btu/hr)	12600	15300	18300	21600	25300	29200	33300	37700	42100	46700	51400	56100	60800	65400	70000	74500
	Power (Watts)	2600	2630	2630	2630	2610	2580	2540	2490	2440	2390	2340	2290	2240	2200	2170	2150
	Current (Amps)	3.3	3.3	3.3	3.3	3.3	3.3	3.3	3.3	3.3	3.3	3.3	3.4	3.4	3.5	3.6	3.8
	Flow Rate (lbs/hr)	156	187	221	258	299	343	389	437	486	536	587	638	689	740	789	836
	EER (Btu/Watt-hr)	4.9	5.8	6.9	8.2	9.7	11.3	13.1	15.1	17.2	19.5	22.0	24.5	27.1	29.7	32.2	34.7
90	Capacity (Btu/hr)		13300	16200	19500	23000	26800	30800	35000	39400	43900	48400	53000	57500	62100	66500	70900
	Power (Watts)		3010	3010	3000	2980	2950	2910	2870	2820	2770	2720	2670	2630	2600	2570	2560
	Current (Amps)		3.9	3.9	4.0	4.0	4.0	4.0	4.0	4.0	4.0	4.1	4.1	4.1	4.2	4.2	4.3
	Flow Rate (lbs/hr)		169	204	243	285	330	377	426	476	526	578	629	680	730	779	827
	EER (Btu/Watt-hr)		4.4	5.4	6.5	7.7	9.1	10.6	12.2	14.0	15.8	17.8	19.8	21.9	23.9	25.9	27.7
100	Capacity (Btu/hr)			14000	17100	20600	24300	28200	32300	36600	40900	45400	49800	54300	58700	63000	67300
	Power (Watts)			3480	3460	3430	3390	3340	3290	3240	3190	3140	3090	3050	3010	2990	2970
	Current (Amps)			4.6	4.7	4.8	4.8	4.8	4.9	4.9	4.9	4.9	4.9	4.9	4.9	4.9	5.0
	Flow Rate (lbs/hr)			183	224	268	314	363	413	464	516	569	621	673	724	773	821
	EER (Btu/Watt-hr)			4.0	4.9	6.0	7.2	8.4	9.8	11.3	12.8	14.5	16.1	17.8	19.5	21.1	22.6
110	Capacity (Btu/hr)				17900	21500	25300	29300	33500	37800	42100	46500	50900	55200	59400	63500	
	Power (Watts)				3970	3920	3860	3800	3740	3680	3620	3560	3510	3470	3440	3420	
	Current (Amps)				5.7	5.8	5.8	5.9	5.9	5.9	5.9	5.9	5.9	5.8	5.8	5.8	
	Flow Rate (lbs/hr)				244	293	344	396	449	503	557	611	665	717	768	816	
	EER (Btu/Watt-hr)				4.5	5.5	6.6	7.7	9.0	10.3	11.7	13.1	14.5	15.9	17.3	18.6	
120	Capacity (Btu/hr)						22100	26000	30100	34300	38600	42900	47200	51400	55600	59600	
	Power (Watts)						4490	4410	4330	4250	4170	4100	4040	3980	3940	3910	
	Current (Amps)						7.1	7.1	7.1	7.1	7.1	7.1	7.1	7.0	6.9	6.9	
	Flow Rate (lbs/hr)						317	372	428	484	541	597	652	707	759	810	
	EER (Btu/Watt-hr)						4.9	5.9	7.0	8.1	9.2	10.5	11.7	12.9	14.1	15.2	
130	Capacity (Btu/hr)								26200	30400	34600	38800	43000	47200	51300	55300	
	Power (Watts)								5030	4930	4830	4740	4660	4580	4520	4480	
	Current (Amps)								8.7	8.7	8.7	8.7	8.6	8.5	8.4	8.3	
	Flow Rate (lbs/hr)								397	457	516	575	633	690	745	798	
	EER (Btu/Watt-hr)								5.2	6.2	7.2	8.2	9.2	10.3	11.3	12.3	
140	Capacity (Btu/hr)										22100	25000	28000	31300	34900	38600	
	Power (Watts)										3090	3200	3300	3380	3440	3490	
	Current (Amps)										14.7	15.2	15.7	16.1	16.4	16.6	
	Flow Rate (lbs/hr)										349	392	437	484	534	586	
	EER (Btu/Watt-hr)										7.2	7.8	8.5	9.3	10.1	11.1	
150	Capacity (Btu/hr)												28000	31300	34900	38600	
	Power (Watts)												3300	3380	3440	3490	
	Current (Amps)												15.7	16.1	16.4	16.6	
	Flow Rate (lbs/hr)												437	484	534	586	
	EER (Btu/Watt-hr)												8.5	9.3	10.1	11.1	

\* Specifications are subject to change without notice

Data Based on 380 volts

## MODEL XNH562HU

380/415 VOLTS, THREE PHASE, 50HZ, R-410A

### NOMINAL PERFORMANCE AT ASRE/T 380 VOLTS

Capacity (Btu/hr) .....	47,700
EER (Btu/W-hr).....	10.4
Power (W).....	4,590
Current (A).....	8.6

### RATING CONDITIONS AT ASRE/T

Condensing Temp. (Deg. F) .....	130
Evaporating Temp. (Deg. F) .....	45
Return Gas Temp. (Deg. F) .....	95
Liquid Temp. (Deg. F).....	115
Ambient Temp. (Deg. F) .....	95

### MOTOR

Operating Voltage Range.....	342-457
Locked Rotor Amps.....	70.0
Maximum Continuous Current.....	14.0
Rated Load Amps.....	9.0

### ELECTRICAL COMPONENTS

Motor Protector Type.....	Internal
Run Capacitor Type.....	N/A

### OIL

Oil Type.....	POE / Hatco FRL 32ST
Initial Charge (oz.) .....	53
Re-Charge (oz.) .....	44

### COMPRESSOR

Maximum Discharge Temp. (Deg. F) .....	280
Displacement (cu. in / rev).....	3.30
Weight (lbs.,Wet) .....	82.0
UL/CSA File #.....	SA11565

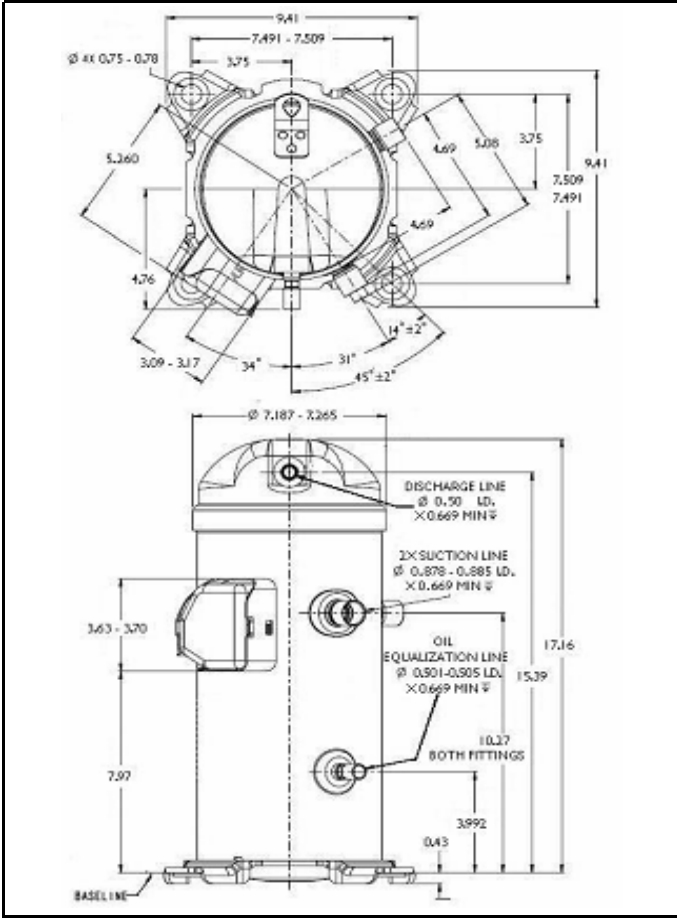
Specifications are subject to change without notice  
 Nominal performance value +/- 5%  
 Ratings generated with air over compressor

### Carlyle Compressor Company

In the U.S.A. and Puerto Rico: 1-800-GO-CARLYLE (1-800-462-2759)  
 Canada: 1-800-258-1123  
 Mexico: 001-800-462-2759  
 Fax: 315-432-3274

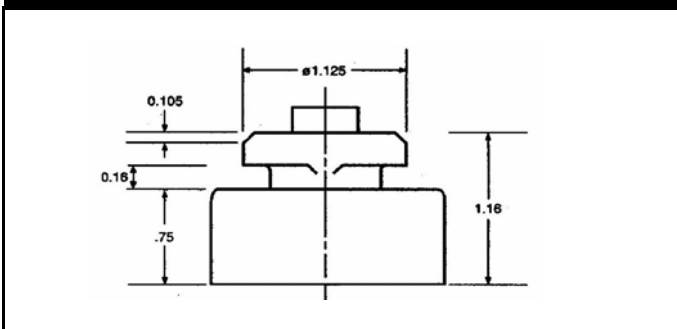
47700 Btu/hr

### XN MODEL OUTLINE DIMENSIONS



Dimensions given in Inches

### ISOLATOR MOUNTING DIAGRAM



**MODEL:** XNH562HU      **SUBCOOLING:** 15' F  
**VOLTAGE:** 380/415-3-50      **SUPERHEAT:** 20' F  
**REFRIGERANT:** R-410A      **RATING DATE:** Aug-06



Saturated Condensing		Saturated Evaporating Temperature (Degrees F)															
		-20	-15	-10	-5	0	5	10	15	20	25	30	35	40	45	50	55
80	Capacity (Btu/hr)	12600	15300	18300	21600	25300	29200	33300	37700	42100	46700	51400	56100	60800	65400	70000	74500
	Power (Watts)	2600	2630	2630	2630	2610	2580	2540	2490	2440	2390	2340	2290	2240	2200	2170	2150
	Current (Amps)	3.3	3.3	3.3	3.3	3.3	3.3	3.3	3.3	3.3	3.3	3.3	3.4	3.4	3.5	3.6	3.8
	Flow Rate (lbs/hr)	156	187	221	258	299	343	389	437	486	536	587	638	689	740	789	836
	EER (Btu/Watt-hr)	4.9	5.8	6.9	8.2	9.7	11.3	13.1	15.1	17.2	19.5	22.0	24.5	27.1	29.7	32.2	34.7
90	Capacity (Btu/hr)		13300	16200	19500	23000	26800	30800	35000	39400	43900	48400	53000	57500	62100	66500	70900
	Power (Watts)		3010	3010	3000	2980	2950	2910	2870	2820	2770	2720	2670	2630	2600	2570	2560
	Current (Amps)		3.9	3.9	4.0	4.0	4.0	4.0	4.0	4.0	4.0	4.1	4.1	4.1	4.2	4.2	4.3
	Flow Rate (lbs/hr)		169	204	243	285	330	377	426	476	526	578	629	680	730	779	827
	EER (Btu/Watt-hr)		4.4	5.4	6.5	7.7	9.1	10.6	12.2	14.0	15.8	17.8	19.8	21.9	23.9	25.9	27.7
100	Capacity (Btu/hr)			14000	17100	20600	24300	28200	32300	36600	40900	45400	49800	54300	58700	63000	67300
	Power (Watts)			3480	3460	3430	3390	3340	3290	3240	3190	3140	3090	3050	3010	2990	2970
	Current (Amps)			4.6	4.7	4.8	4.8	4.8	4.9	4.9	4.9	4.9	4.9	4.9	4.9	4.9	5.0
	Flow Rate (lbs/hr)			183	224	268	314	363	413	464	516	569	621	673	724	773	821
	EER (Btu/Watt-hr)			4.0	4.9	6.0	7.2	8.4	9.8	11.3	12.8	14.5	16.1	17.8	19.5	21.1	22.6
110	Capacity (Btu/hr)				17900	21500	25300	29300	33500	37800	42100	46500	50900	55200	59400	63500	
	Power (Watts)				3970	3920	3860	3800	3740	3680	3620	3560	3510	3470	3440	3420	
	Current (Amps)				5.7	5.8	5.8	5.9	5.9	5.9	5.9	5.9	5.9	5.8	5.8	5.8	
	Flow Rate (lbs/hr)				244	293	344	396	449	503	557	611	665	717	768	816	
	EER (Btu/Watt-hr)				4.5	5.5	6.6	7.7	9.0	10.3	11.7	13.1	14.5	15.9	17.3	18.6	
120	Capacity (Btu/hr)						22100	26000	30100	34300	38600	42900	47200	51400	55600	59600	
	Power (Watts)						4490	4410	4330	4250	4170	4100	4040	3980	3940	3910	
	Current (Amps)						7.1	7.1	7.1	7.1	7.1	7.1	7.1	7.0	6.9	6.9	
	Flow Rate (lbs/hr)						317	372	428	484	541	597	652	707	759	810	
	EER (Btu/Watt-hr)						4.9	5.9	7.0	8.1	9.2	10.5	11.7	12.9	14.1	15.2	
130	Capacity (Btu/hr)								26200	30400	34600	38800	43000	47200	51300	55300	
	Power (Watts)								5030	4930	4830	4740	4660	4580	4520	4480	
	Current (Amps)								8.7	8.7	8.7	8.7	8.6	8.5	8.4	8.3	
	Flow Rate (lbs/hr)								397	457	516	575	633	690	745	798	
	EER (Btu/Watt-hr)								5.2	6.2	7.2	8.2	9.2	10.3	11.3	12.3	
140	Capacity (Btu/hr)										22100	25000	28000	31300	34900	38600	
	Power (Watts)										3090	3200	3300	3380	3440	3490	
	Current (Amps)										14.7	15.2	15.7	16.1	16.4	16.6	
	Flow Rate (lbs/hr)										349	392	437	484	534	586	
	EER (Btu/Watt-hr)										7.2	7.8	8.5	9.3	10.1	11.1	
150	Capacity (Btu/hr)												28000	31300	34900	38600	
	Power (Watts)												3300	3380	3440	3490	
	Current (Amps)												15.7	16.1	16.4	16.6	
	Flow Rate (lbs/hr)												437	484	534	586	
	EER (Btu/Watt-hr)												8.5	9.3	10.1	11.1	

\* Specifications are subject to change without notice

Data Based on 380 volts

## MODEL XNH682AE

380/415 VOLTS, THREE PHASE, 50HZ, R-410A

### NOMINAL PERFORMANCE AT ASRE/T 380 VOLTS

Capacity (Btu/hr) .....	58,200
EER (Btu/W-hr).....	11.1
Power (W).....	5,265
Current (A).....	10.9

### RATING CONDITIONS AT ASRE/T

Condensing Temp. (Deg. F) .....	130
Evaporating Temp. (Deg. F) .....	45
Return Gas Temp. (Deg. F) .....	95
Liquid Temp. (Deg. F).....	115
Ambient Temp. (Deg. F) .....	95

### MOTOR

Operating Voltage Range.....	342-457
Locked Rotor Amps.....	87.0
Maximum Continuous Current.....	19.0
Rated Load Amps.....	12.2

### ELECTRICAL COMPONENTS

Motor Protector Type.....	Internal
Run Capacitor Type.....	N/A

### OIL

Oil Type.....	POE / Hatco FRL 32ST
Initial Charge (oz.) .....	53
Re-Charge (oz.) .....	44

### COMPRESSOR

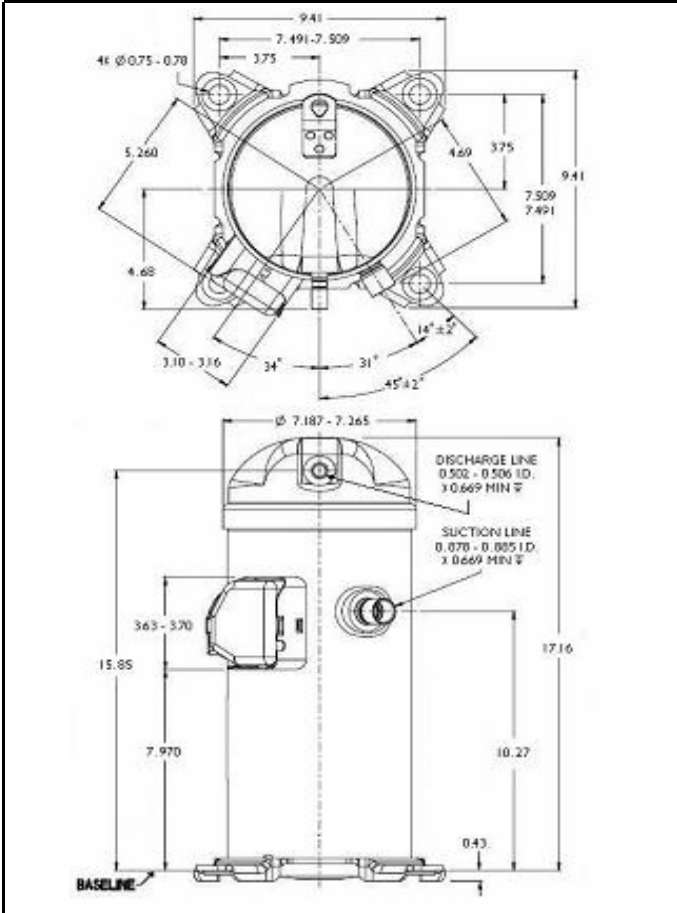
Maximum Discharge Temp. (Deg. F) .....	280
Displacement (cu. in / rev).....	3.39
Weight (lbs.,Wet) .....	82.0
UL/CSA File #.....	SA11565

Specifications are subject to change without notice  
 Nominal performance value +/- 5%  
 Ratings generated with air over compressor

### Carlyle Compressor Company

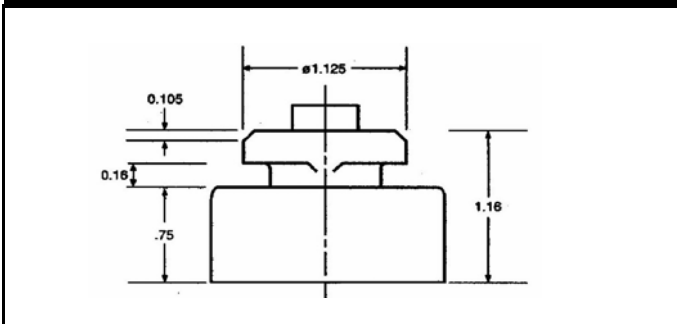
In the U.S.A. and Puerto Rico: 1-800-GO-CARLYLE (1-800-462-2759)  
 Canada: 1-800-258-1123  
 Mexico: 001-800-462-2759  
 Fax: 315-432-3274

### XN MODEL OUTLINE DIMENSIONS



Dimensions given in Inches

### ISOLATOR MOUNTING DIAGRAM



58200 Btu/hr

**MODEL:** XNH682AE      **SUBCOOLING:** 15' F  
**VOLTAGE:** 380/415-3-50      **SUPERHEAT:** 20' F  
**REFRIGERANT:** R-410A      **RATING DATE:** Aug-06



Saturated Condensing		Saturated Evaporating Temperature (Degrees F)															
		-20	-15	-10	-5	0	5	10	15	20	25	30	35	40	45	50	55
80	Capacity (Btu/hr)	18900	21700	24600	27700	31100	34700	38800	43300	48200	53800	59900	66700	74200	82400	91600	101600
	Power (Watts)	2890	2920	2940	2960	2970	2980	2980	2970	2960	2940	2910	2870	2820	2760	2700	2610
	Current (Amps)	7.1	7.0	6.9	6.9	6.9	6.9	7.0	6.9	6.9	6.8	6.7	6.5	6.3	6.0	5.6	5.0
	Flow Rate (lbs/hr)	230	262	295	329	367	407	452	501	556	618	686	761	845	938	1041	1154
	EER (Btu/Watt-hr)	6.5	7.4	8.4	9.4	10.4	11.7	13.0	14.5	16.3	18.3	20.6	23.2	26.3	29.8	34.0	38.9
90	Capacity (Btu/hr)		19600	22800	26000	29300	32900	36800	41000	45500	50500	56100	62200	68900	76300	84400	93300
	Power (Watts)		3230	3260	3290	3310	3330	3340	3340	3340	3330	3310	3280	3250	3200	3150	3080
	Current (Amps)		7.3	7.3	7.3	7.4	7.5	7.5	7.6	7.6	7.6	7.6	7.5	7.3	7.1	6.7	6.3
	Flow Rate (lbs/hr)		250	287	325	364	405	450	498	550	607	670	739	815	900	992	1094
	EER (Btu/Watt-hr)		6.1	7.0	7.9	8.9	9.9	11.0	12.3	13.6	15.2	16.9	18.9	21.2	23.8	26.8	30.3
100	Capacity (Btu/hr)			20100	23600	27100	30700	34600	38600	43000	47600	52700	58300	64400	71000	78400	86400
	Power (Watts)			3630	3660	3690	3710	3730	3740	3750	3740	3740	3720	3700	3660	3620	3570
	Current (Amps)			7.8	7.9	7.9	8.0	8.1	8.2	8.3	8.3	8.3	8.3	8.2	8.0	7.7	7.4
	Flow Rate (lbs/hr)			267	310	354	399	445	494	546	601	661	727	798	876	962	1055
	EER (Btu/Watt-hr)			5.5	6.4	7.3	8.3	9.3	10.3	11.5	12.7	14.1	15.7	17.4	19.4	21.6	24.2
110	Capacity (Btu/hr)				24000	27900	31800	35900	40200	44700	49500	54700	60300	66400	73100	80300	
	Power (Watts)				4120	4150	4170	4190	4200	4200	4200	4190	4180	4150	4120	4080	
	Current (Amps)				8.6	8.7	8.8	9.0	9.0	9.1	9.1	9.1	9.0	8.9	8.6	8.3	
	Flow Rate (lbs/hr)				331	381	432	484	539	595	655	719	788	863	943	1030	
	EER (Btu/Watt-hr)				5.8	6.7	7.6	8.6	9.6	10.6	11.8	13.1	14.4	16.0	17.7	19.7	
120	Capacity (Btu/hr)						28200	32500	36900	41400	46100	51100	56400	62100	68200	74800	
	Power (Watts)						4670	4690	4700	4710	4710	4710	4700	4680	4660	4620	
	Current (Amps)						9.8	9.9	9.9	10.0	10.0	10.0	9.9	9.8	9.6	9.3	
	Flow Rate (lbs/hr)						406	464	523	584	646	711	780	853	931	1015	
	EER (Btu/Watt-hr)						6.0	6.9	7.8	8.8	9.8	10.8	12.0	13.3	14.7	16.2	
130	Capacity (Btu/hr)								32700	37300	42100	47000	52200	57600	63400	69600	
	Power (Watts)								5270	5280	5290	5280	5280	5260	5240	5210	
	Current (Amps)								11.1	11.1	11.1	11.1	11.0	10.8	10.6	10.3	
	Flow Rate (lbs/hr)								494	561	628	697	768	843	921	1004	
	EER (Btu/Watt-hr)								6.2	7.1	8.0	8.9	9.9	11.0	12.1	13.4	
140	Capacity (Btu/hr)										22100	25000	28000	31300	34900	38600	
	Power (Watts)										3090	3200	3300	3380	3440	3490	
	Current (Amps)										14.7	15.2	15.7	16.1	16.4	16.6	
	Flow Rate (lbs/hr)										349	392	437	484	534	586	
	EER (Btu/Watt-hr)										7.2	7.8	8.5	9.3	10.1	11.1	
150	Capacity (Btu/hr)												28000	31300	34900	38600	
	Power (Watts)												3300	3380	3440	3490	
	Current (Amps)												15.7	16.1	16.4	16.6	
	Flow Rate (lbs/hr)												437	484	534	586	
	EER (Btu/Watt-hr)												8.5	9.3	10.1	11.1	

\* Specifications are subject to change without notice

Data Based on 380 volts

## MODEL XNH682AU

380/415 VOLTS, THREE PHASE, 50HZ, R-410A

### NOMINAL PERFORMANCE AT ASRE/T 380 VOLTS

Capacity (Btu/hr) .....	58,200
EER (Btu/W-hr).....	11.1
Power (W).....	5,265
Current (A).....	10.9

### RATING CONDITIONS AT ASRE/T

Condensing Temp. (Deg. F) .....	130
Evaporating Temp. (Deg. F) .....	45
Return Gas Temp. (Deg. F) .....	95
Liquid Temp. (Deg. F).....	115
Ambient Temp. (Deg. F) .....	95

### MOTOR

Operating Voltage Range.....	342-457
Locked Rotor Amps.....	87.0
Maximum Continuous Current.....	19.0
Rated Load Amps.....	12.2

### ELECTRICAL COMPONENTS

Motor Protector Type.....	Internal
Run Capacitor Type.....	N/A

### OIL

Oil Type.....	POE / Hatco FRL 32ST
Initial Charge (oz.) .....	53
Re-Charge (oz.) .....	44

### COMPRESSOR

Maximum Discharge Temp. (Deg. F) .....	280
Displacement (cu. in / rev).....	3.39
Weight (lbs.,Wet) .....	82.0
UL/CSA File # .....	SA11565

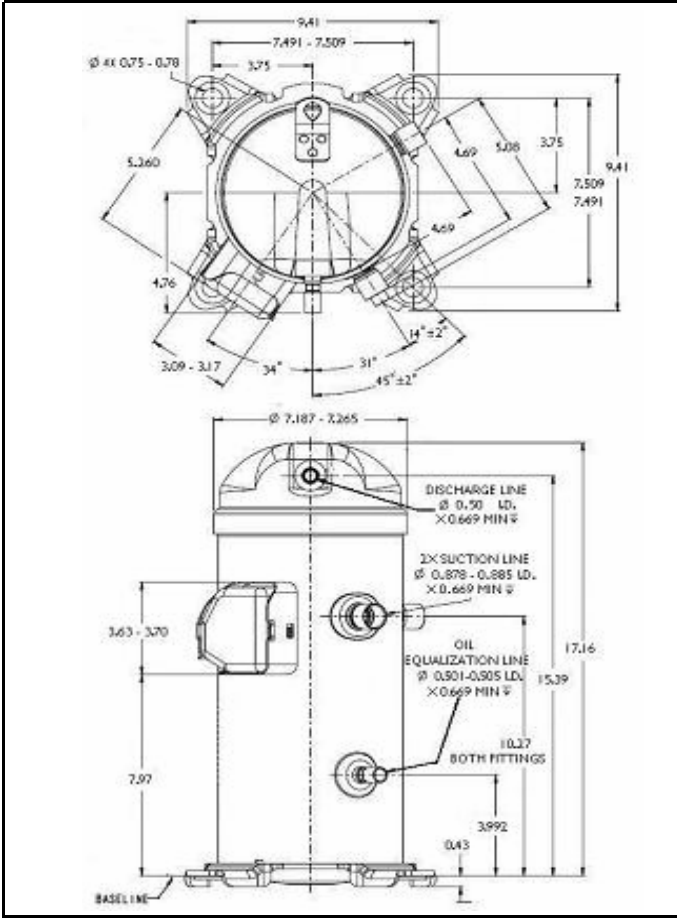
Specifications are subject to change without notice  
 Nominal performance value +/- 5%  
 Ratings generated with air over compressor

### Carlyle Compressor Company

In the U.S.A. and Puerto Rico: 1-800-GO-CARLYLE (1-800-462-2759)  
 Canada: 1-800-258-1123  
 Mexico: 001-800-462-2759  
 Fax: 315-432-3274

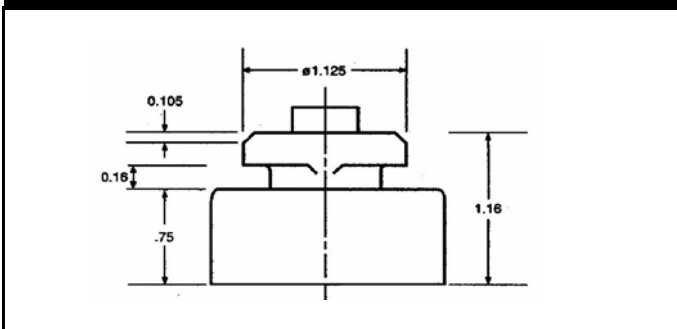
58200 Btu/hr

### XN MODEL OUTLINE DIMENSIONS



Dimensions given in Inches

### ISOLATOR MOUNTING DIAGRAM



**MODEL:** XNH682AU      **SUBCOOLING:** 15' F  
**VOLTAGE:** 380/415-3-50      **SUPERHEAT:** 20' F  
**REFRIGERANT:** R-410A      **RATING DATE:** Aug-06



Saturated Condensing		Saturated Evaporating Temperature (Degrees F)															
		-20	-15	-10	-5	0	5	10	15	20	25	30	35	40	45	50	55
80	Capacity (Btu/hr)	18900	21700	24600	27700	31100	34700	38800	43300	48200	53800	59900	66700	74200	82400	91600	101600
	Power (Watts)	2890	2920	2940	2960	2970	2980	2980	2970	2960	2940	2910	2870	2820	2760	2700	2610
	Current (Amps)	7.1	7.0	6.9	6.9	6.9	6.9	7.0	6.9	6.9	6.8	6.7	6.5	6.3	6.0	5.6	5.0
	Flow Rate (lbs/hr)	230	262	295	329	367	407	452	501	556	618	686	761	845	938	1041	1154
	EER (Btu/Watt-hr)	6.5	7.4	8.4	9.4	10.4	11.7	13.0	14.5	16.3	18.3	20.6	23.2	26.3	29.8	34.0	38.9
90	Capacity (Btu/hr)		19600	22800	26000	29300	32900	36800	41000	45500	50500	56100	62200	68900	76300	84400	93300
	Power (Watts)		3230	3260	3290	3310	3330	3340	3340	3340	3330	3310	3280	3250	3200	3150	3080
	Current (Amps)		7.3	7.3	7.3	7.4	7.5	7.5	7.6	7.6	7.6	7.6	7.5	7.3	7.1	6.7	6.3
	Flow Rate (lbs/hr)		250	287	325	364	405	450	498	550	607	670	739	815	900	992	1094
	EER (Btu/Watt-hr)		6.1	7.0	7.9	8.9	9.9	11.0	12.3	13.6	15.2	16.9	18.9	21.2	23.8	26.8	30.3
100	Capacity (Btu/hr)			20100	23600	27100	30700	34600	38600	43000	47600	52700	58300	64400	71000	78400	86400
	Power (Watts)			3630	3660	3690	3710	3730	3740	3750	3740	3740	3720	3700	3660	3620	3570
	Current (Amps)			7.8	7.9	7.9	8.0	8.1	8.2	8.3	8.3	8.3	8.3	8.2	8.0	7.7	7.4
	Flow Rate (lbs/hr)			267	310	354	399	445	494	546	601	661	727	798	876	962	1055
	EER (Btu/Watt-hr)			5.5	6.4	7.3	8.3	9.3	10.3	11.5	12.7	14.1	15.7	17.4	19.4	21.6	24.2
110	Capacity (Btu/hr)				24000	27900	31800	35900	40200	44700	49500	54700	60300	66400	73100	80300	
	Power (Watts)				4120	4150	4170	4190	4200	4200	4200	4190	4180	4150	4120	4080	
	Current (Amps)				8.6	8.7	8.8	9.0	9.0	9.1	9.1	9.1	9.0	8.9	8.6	8.3	
	Flow Rate (lbs/hr)				331	381	432	484	539	595	655	719	788	863	943	1030	
	EER (Btu/Watt-hr)				5.8	6.7	7.6	8.6	9.6	10.6	11.8	13.1	14.4	16.0	17.7	19.7	
120	Capacity (Btu/hr)						28200	32500	36900	41400	46100	51100	56400	62100	68200	74800	
	Power (Watts)						4670	4690	4700	4710	4710	4710	4700	4680	4660	4620	
	Current (Amps)						9.8	9.9	9.9	10.0	10.0	10.0	9.9	9.8	9.6	9.3	
	Flow Rate (lbs/hr)						406	464	523	584	646	711	780	853	931	1015	
	EER (Btu/Watt-hr)						6.0	6.9	7.8	8.8	9.8	10.8	12.0	13.3	14.7	16.2	
130	Capacity (Btu/hr)								32700	37300	42100	47000	52200	57600	63400	69600	
	Power (Watts)								5270	5280	5290	5280	5280	5260	5240	5210	
	Current (Amps)								11.1	11.1	11.1	11.1	11.0	10.8	10.6	10.3	
	Flow Rate (lbs/hr)								494	561	628	697	768	843	921	1004	
	EER (Btu/Watt-hr)								6.2	7.1	8.0	8.9	9.9	11.0	12.1	13.4	
140	Capacity (Btu/hr)										22100	25000	28000	31300	34900	38600	
	Power (Watts)										3090	3200	3300	3380	3440	3490	
	Current (Amps)										14.7	15.2	15.7	16.1	16.4	16.6	
	Flow Rate (lbs/hr)										349	392	437	484	534	586	
	EER (Btu/Watt-hr)										7.2	7.8	8.5	9.3	10.1	11.1	
150	Capacity (Btu/hr)												28000	31300	34900	38600	
	Power (Watts)												3300	3380	3440	3490	
	Current (Amps)												15.7	16.1	16.4	16.6	
	Flow Rate (lbs/hr)												437	484	534	586	
	EER (Btu/Watt-hr)												8.5	9.3	10.1	11.1	

\* Specifications are subject to change without notice

Data Based on 380 volts